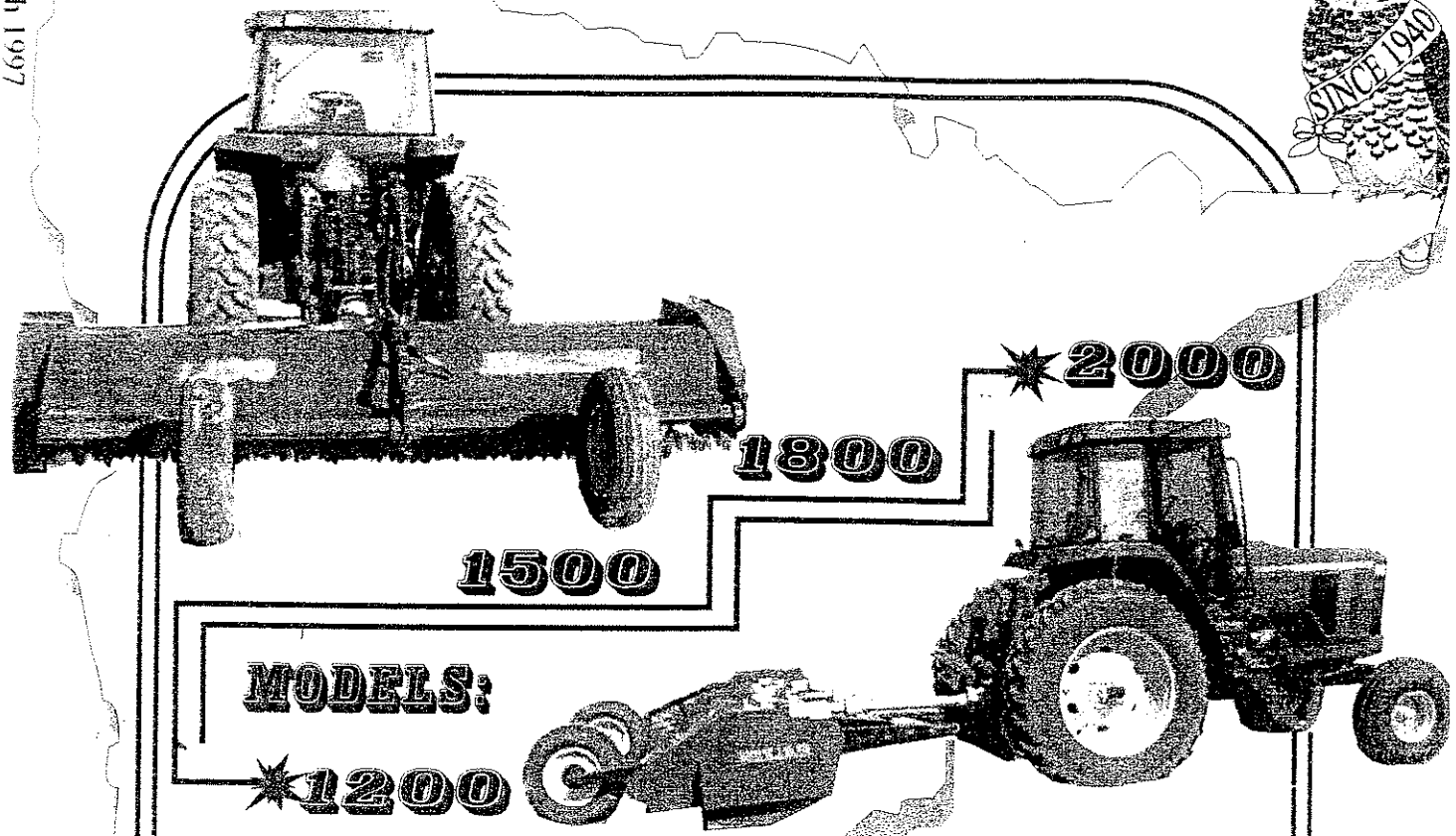


BALZER



March 1997



MODELS:

***1200**

1500

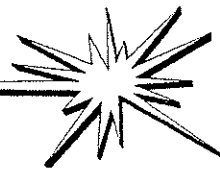
1800

***2000**

**CONVENTIONAL SHREDDER PULL TYPE
FULL & SEMI-MOUNT**

**OWNER'S MANUAL
FOR INSTALLATION, OPERATION & MAINTENANCE**

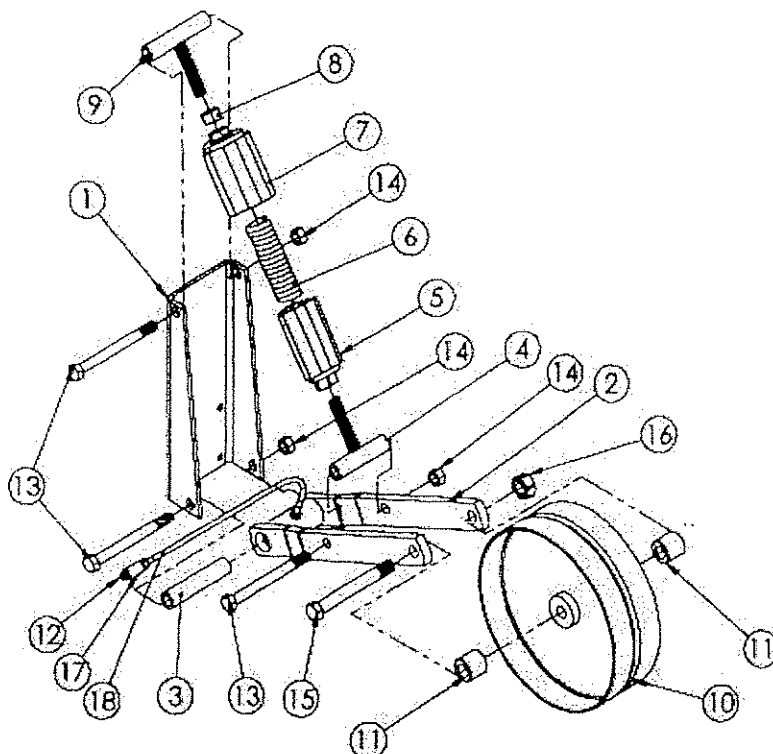
MOUNTAIN LAKE



CONVENTIONAL SHEDDER PULL TYPE, FULL & SEMI-MOUNT MODELS: 1200, 1500, 1800, 2000

To The Purchaser.....	Pag. 4
Warranty.....	5
Safety Section.....	6
Operation.....	9
Set-Up & Assembly.....	10
Operation.....	12
Service & Lubrication.....	13
Service Parts Ordering.....	14
 Reference Drawings for Service Parts	
Belt Tightener 10".....	15
Main Housing Models 1200.....	16
Drive Line Assembly Models 1200-1500.....	17
Main Housing Models 1500-1800-2000.....	18
Drive Line Assembly Models 1800-2000.....	19
Semi-Mount Parts 1200-1500-1800-2000.....	20
Full Mount Parts Conventional Shredder 1200-2000.....	21
Caster Arm Assembly.....	22
Jack Stand.....	23
Ratchet Jack Assembly.....	24
Pull Type Hitch.....	25
Hinging Guard & Rod.....	26
Knife Options.....	27
Rockshaft Models 1200-1500.....	28
Rockshaft Models 1800-2000.....	29
Wheel Arm Assembly Removable.....	30
Position Knives.....	31
10" Dia. Cylinder Assembly Models 1800-2000.....	32
10" Dia. Cylinder Assembly Models 1200-1500.....	33
1-3/8-6 CV PTO RA2 - (540 RPM) Pull Type Unit.....	34
Gearbox - 540 RPM (1:1.81 Ratio) Rotor Speed.....	35
Gearbox - 1000 RPM (1:1 Ratio) 1500 Rotor Speed.....	36
Gearbox - 1000 RPM (1:1.35 Ratio) 2000 Rotor Speed.....	37
Gearbox - 1000 RPM (1:1.147 Ratio) 1750 Rotor Speed.....	38
1-3/8-21 PTO RA2 - (1000 RPM) Pull Type Unit.....	39
1-3/8-20 PTO RA2 - (1000 RPM) Pull Type Unit.....	40
1-3/8-21 CV PTO RA2 - Pull Type Unit - (1000 RPM).....	41
1-3/4-20 CV PTO RA2 - Pull Type Unit - (1000 RPM).....	42
1-3/4-20 CV PTO RA2 - Pull Type Unit - Semi Mount (1000 RPM).....	43
1-3/8-21 CV PTO RA2 - Pull Type Unit - Semi Mount (1000 RPM).....	44

COMPLETE BELT TIGHTENERS

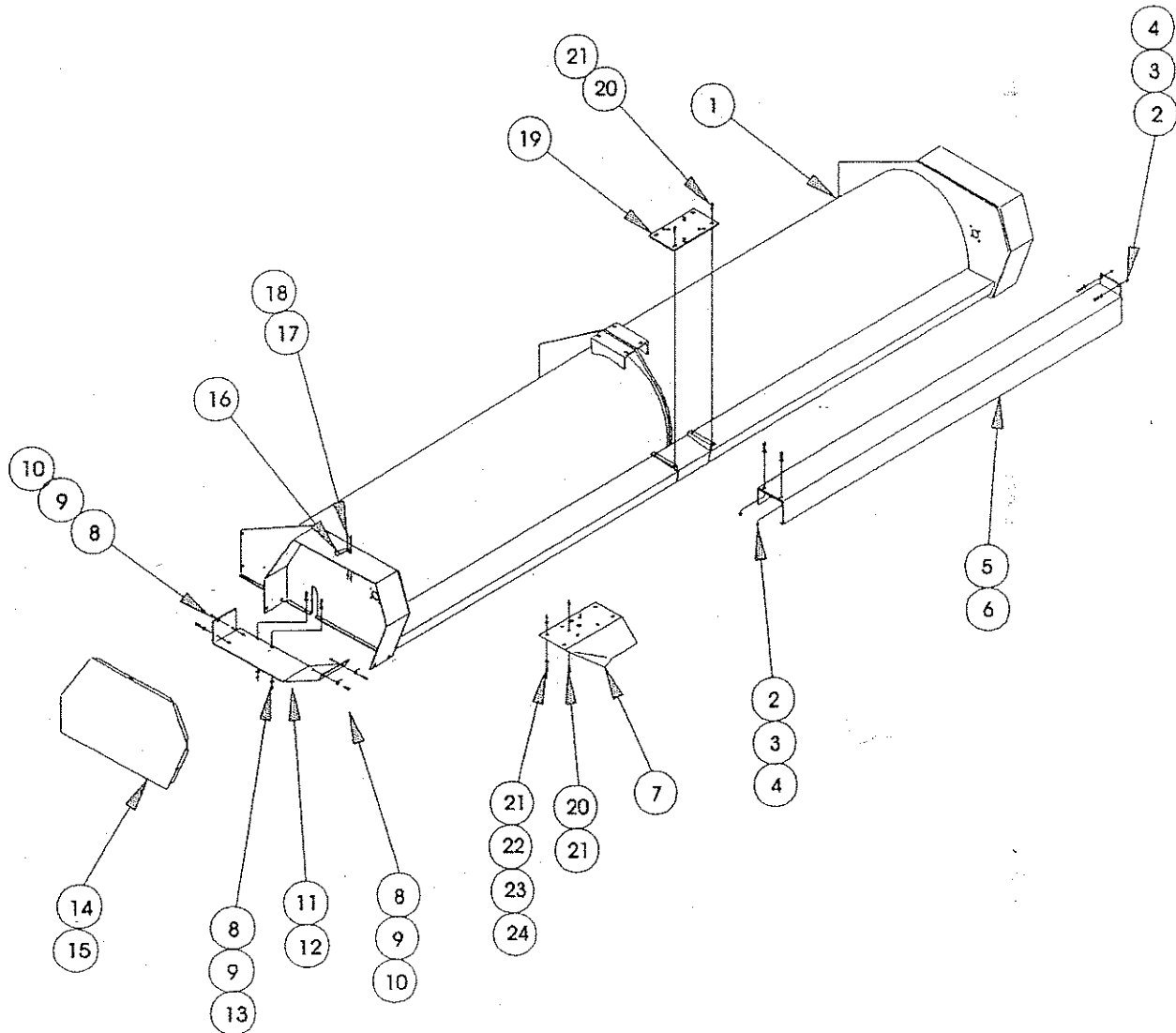


ITEM	PART#	QTY	DESCRIPTION
1	18824	1	BELT TIGHTENER MOUNT SHREDDERS
2	28462	1	TIGHTENER ARM 10" IDLER SHREDDER
3	12400	1	PIPE BUSHING .87x.156RMT
4	18826	1	ADJUSTER LOWER BELT TIGHTENER
5	24587	1	TIGHTENER HALF INNER
6	2616	1	SPRING COMPRESSION 410# 5.5"FREE/.75"ID/1.43"OD
7	24584	1	TIGHTENER HALF OUTER
8	1696	1	NUT .62 HEX GRADE 5 Z.P.
9	18825	1	ADJUSTER UPPER BELT TIGHTENER
10	28461	1	IDLER PULLEY 10"
11	24589	2	BUSHING BELT TIGHTENER PULLEY .62 ID X 1.18
12	2291	1	ZERK .12 PIPE STRAIGHT
13	1263	3	BOLT .5 X 5.5 HEX HEAD GRADE 5 Z.P.
14	2539	3	NUT .5 TOPLOCK GRADE 8 Z.P.
15	1302	1	BOLT .62 X 5.5 HEX HEAD GRADE 5 Z.P.
16	2546	1	NUT .62 TOPLOCK GRADE 8 Z.P.
17	12333	1	COUPLING .12 NPT (STEEL)
18	24177	1	HOSE .12 X 21.5" GREASE LINE

COMPLETE RIGHT HAND TIGHTENER, PART# 28458

6/18/04

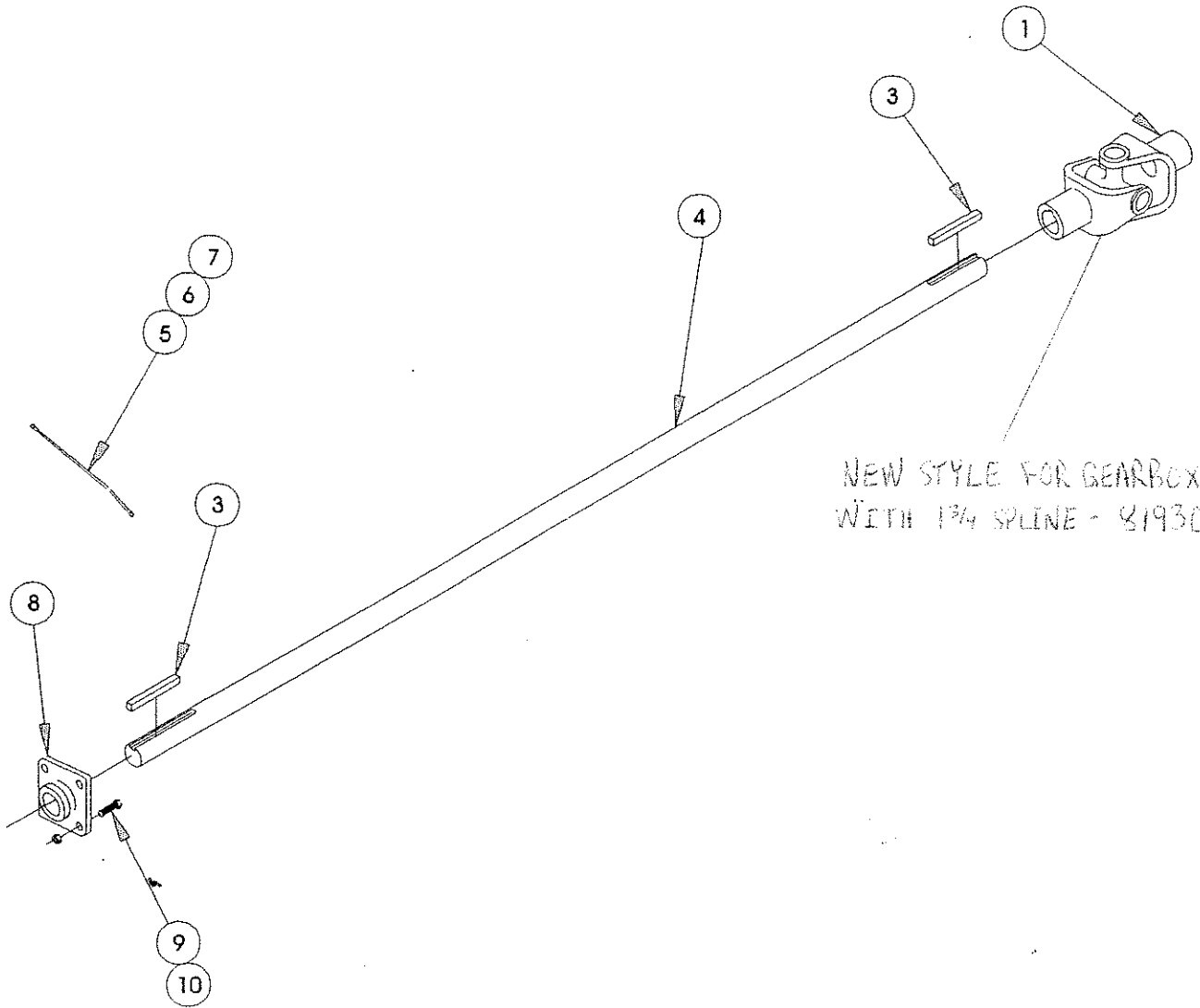
28459 - LH



24	XO1291		BOLT, 62" X 2" HEX HD
23	XO1602		FLAT WASHER .62
22	XO1640		LOCK WASHER .62
21	XO2546	4	NUT, 5/8" HEX HD TOPLOCK GR.8
20	XO1290	4	BOLT, 5/8" X 1-3/4" LG. HEX HD
19	X28491	1	MOUNT, GEAR BOX
18	XO2564	8	NUT, 1/4" HEX HD. (LOCKING)
17	XO1161	8	BOLT, 1/4" X 5/8" LG. HEX HD.
16	X14403	4	LATCH, HOOD
15	X28473	1	SHIELD, L.H. END
14	X28472	1	SHIELD, R.H. END
13	XO1207	4	BOLT, 3/8" X 1-1/4" LG. HEX HD.
12	X28468	1	PANEL, R.H. BOTTOM END
11	X28467	1	PANEL, L.H. BOTTOM END
10	XO2496	12	NUT, 3/8" HEX HD (LOCKING)
ITEM	PART NO.	QTY.	DESCRIPTION

9	XO1598		FLATWASHER, 3/8"
8	XO1206		BOLT, 3/8" X 1" LG. HEX HD.
7	X17307	1	SHIELD, GEAR BOX
6	X12423	1	SHIELD, L.H. LINE SHAFT (1200)
5	X12422	1	SHIELD, R.H. LINE SHAFT (1200)
4	XO1185		BOLT, 5/16" X 1" LG. HEX HD.
3	XO1597		FLATWASHER, 5/16"
2	XO2475		NUT, 5/16" HEX HD. (LOCKING)
1	X28000	1	HOUSING, MAIN (1200)
ITEM	PART NO.	QTY.	DESCRIPTION

	B	9-12-95	REVISED	DATE 1-13-96	MAIN HOUSING -MODELS 1200 CON.-	REF. NO. 20207
	REV.	DATE	DESCRIPTION OF REVISION	SCALE 1/4" = 1"		DRAWING NO. SC5001C



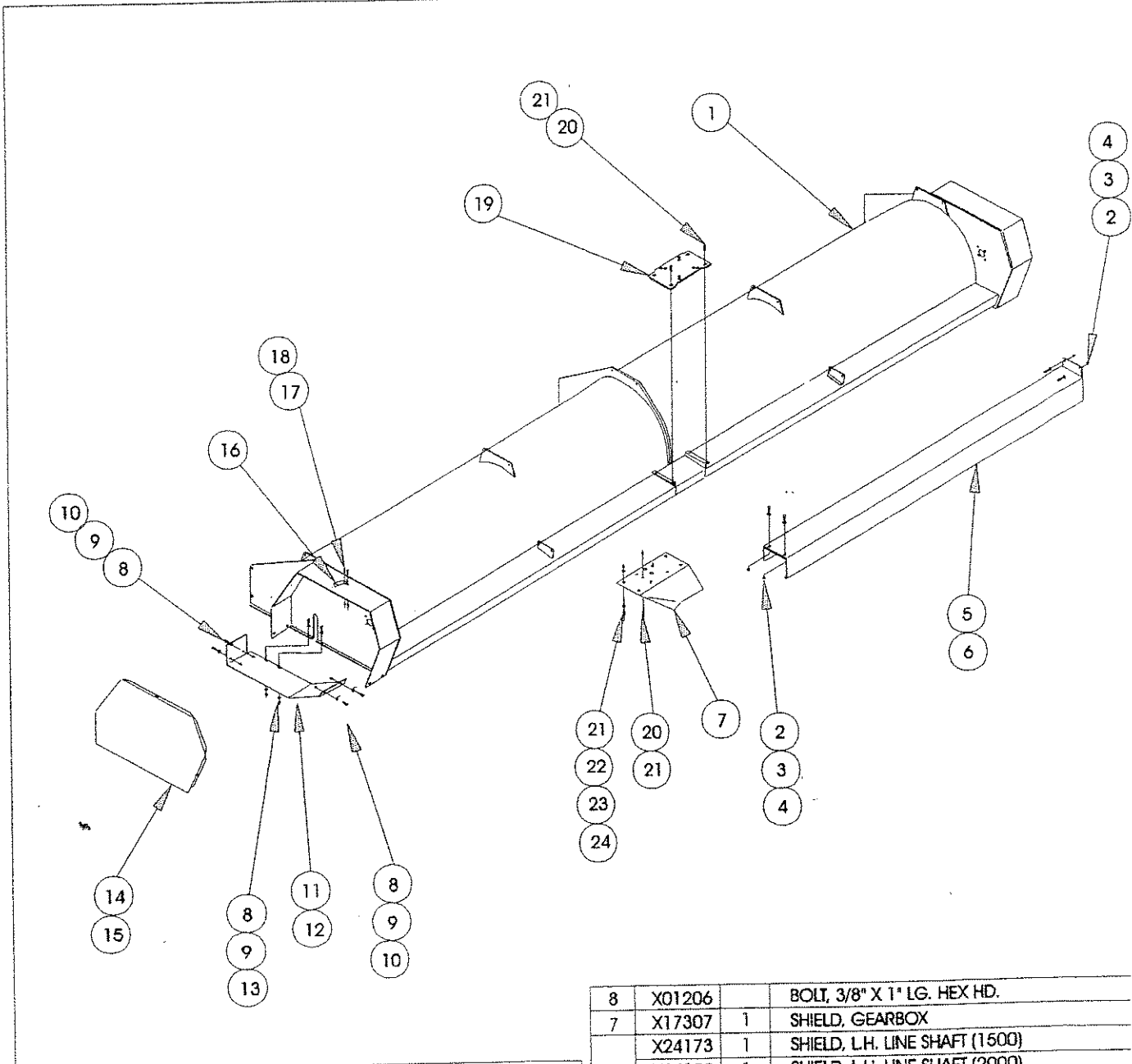
10	XO2546		NUT, 5/8" HEX HD TOPLOCK	8	X20092	2	BEARING, 1-3/4" 4-BOLT
9	XO1290		BOLT, 5/8" X 1.25" LG"	7	XO2291	2	ZERK, 1/8" NPT
ITEM	PART NO.	QTY.	DESCRIPTION	6	X12333	2	COUPLER, 1/8" NPT
				5	X24179	2	HOSE, GREASE LINE (1/8" X 30" LG.)
				4	X31367	2	SHAFT 1-3/4" X 81-5/16" LG. (1500)
					X31366	2	SHAFT 1-3/4" X 63-5/16" LG. (1200)
				3	XO2408	4	KEY, 3/8" X 2-1/2" LG.
				2	X12911	2	KIT, CROSS & BEARING (NOT SHOWN)
				1	X24239	2	U-JOINT, 1-3/4"
ITEM	PART NO.	QTY.	DESCRIPTION	ITEM	PART NO.	QTY.	DESCRIPTION



B	9-13-95	REVISED	DATE	1-19-95
REV.	DATE	DESCRIPTION OF REVISION	SCALE	1 1/2" = 1"
			DRAWN	TMS

DRIVE LINE ASSEMBLY
MODELS 1200-1500

REF. NO. 20211
DRAWING NO. SC500106

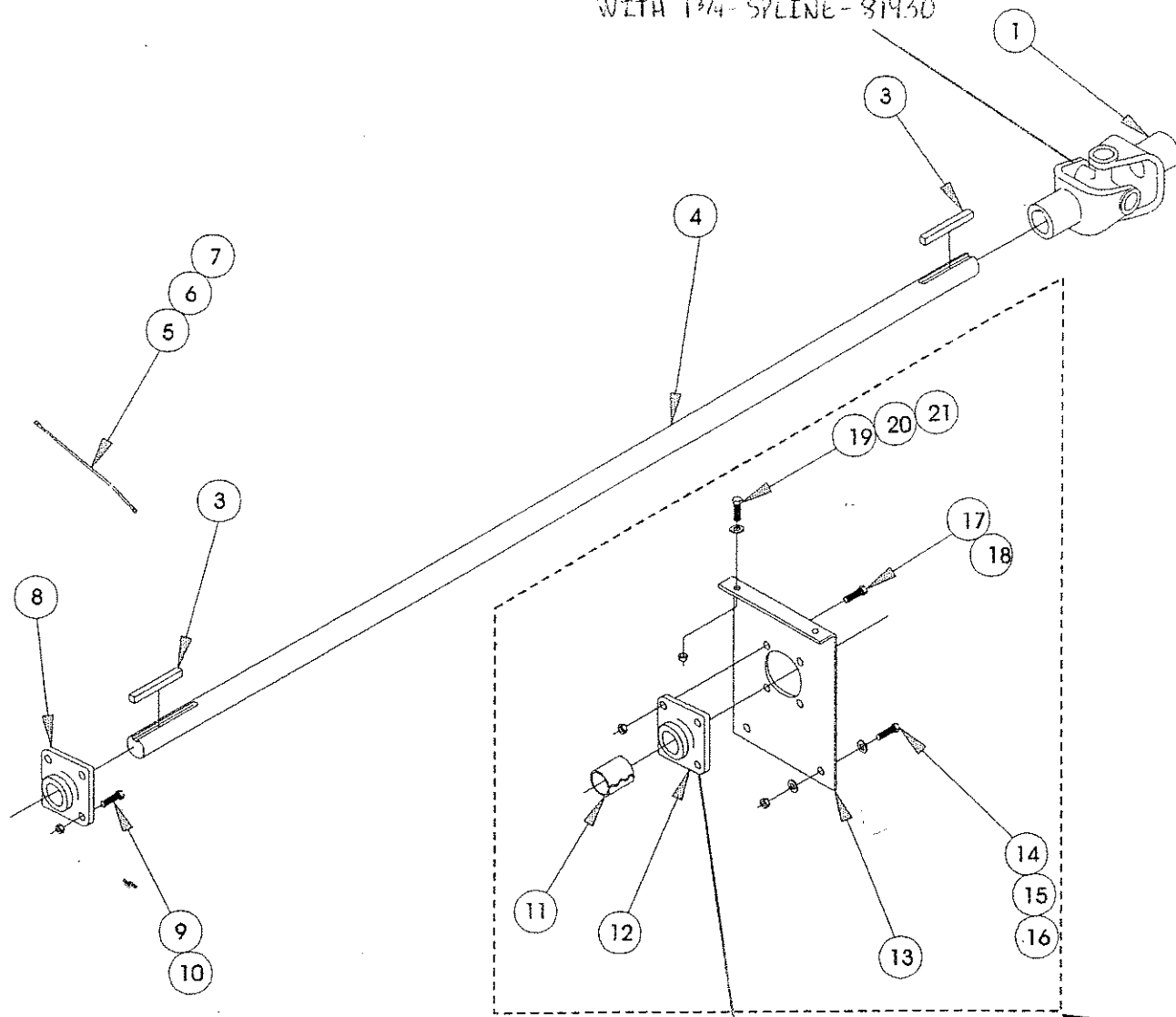


24	XO1602		FLATWASHER, 5/8"
23	XO1640		LOCKWASHER, 5/8"
22	XO1291		BOLT, 5/8" X 2" LG. HEX HD GR.5
21	XO2546		NUT, 5/8" HEX HD TOPLOCK GR.8
20	XO1290		BOLT, 5/8" X 1-1/2" LG. HEX HD
19	X28491	1	MOUNT, GEAR BOX
18	XO2564		NUT, 1/4" HEX HD. (LOCKING)
17	XO1161		BOLT, 1/4" X 5/8" LG. HEX HD.
16	X14403	4	LATCH, HOOD
15	X28473	1	SHIELD, L.H. END
14	X28472	1	SHIELD, R.H. END
13	XO1207		BOLT, 3/8" X 1-1/4" LG. HEX HD.
12	X28467	1	PANEL, L.H. BOTTOM END
11	X28466	1	PANEL, R.H. BOTTOM END
10	XO1598		FLATWASHER, 3/8"
9	XO2496		NUT, 3/8" HEX HD. (LOCKING)

8	XO1206		BOLT, 3/8" X 1" LG. HEX HD.
7	X17307	1	SHIELD, GEARBOX
6	X24173	1	SHIELD, L.H. LINE SHAFT (1500)
	X24109	1	SHIELD, L.H. LINE SHAFT (2000)
	X24065	1	SHIELD, L.H. LINE SHAFT (1800)
5	X24172	1	SHIELD, R.H. LINE SHAFT (1500)
	X24108	1	SHIELD, R.H. LINE SHAFT (2000)
	X24064	1	SHIELD, R.H. LINE SHAFT (1800)
4	XO2475		NUT, 5/16" HEX HD. (LOCKING)
3	XO1597		FLATWASHER, 5/16"
2	XO1185		BOLT, 5/16" X 1" LG. HEX HD.
1	X28001	1	HOUSING, MAIN (1500)
	X28002	1	HOUSING, MAIN (1800)
	X28003	1	HOUSING, MAIN (2000)
ITEM	PART NO.	QTY.	DESCRIPTION

	B	9-12-95	REVISED	DATE 1-16-95	MAIN HOUSING MODELS 1500-1800-2000	REF. NO. 20208
	REV.	DATE	DESCRIPTION OF REVISION	SCALE 1/8" = 1"		DRAWING NO. SC500102

NEW STYLE FOR GEARBOX
WITH 1 3/4" SPLINE - 81930




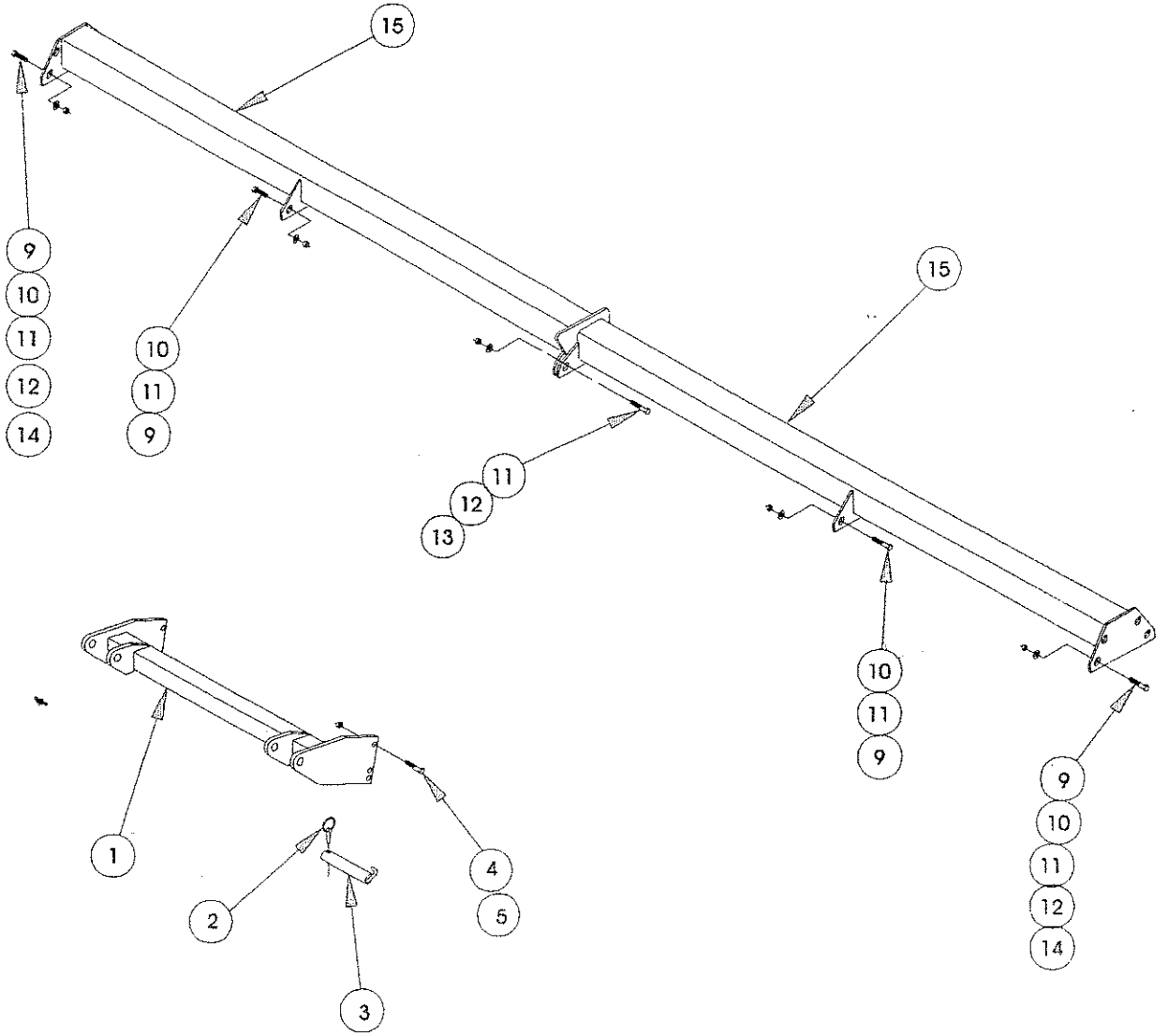
NEW STYLE 2 BOLT FLANGE BEARING - 81915

21	XO2475		NUT, 5/16" HEX HD TOPLOCK
20	XO1597		FLATWASHER, 5/16"
19	XO1185		BOLT, 5/16" X 1" LG. HEX HD
18	XO2546		NUT, 5/8" HEX HD TOPLOCK
17	XO1290		BOLT, 5/8" X 1-3/4" LG. HEX HD
16	XO2539		NUT, 1/2" HEX HD TOPLOCK
15	XO1600		FLATWASHER, 1/2"
14	XO1249		BOLT, 1/2" X 1-1/4" LG. HEX HD.
13	X24223	4	PLATE, MOUNTING
12	X16895	4	BEARING, 2" 4-BOLT
11	X24203	4	SLEEVE, 1-3/4"
10	XO2546		NUT, 5/8" HEX HD TOPLOCK
9	XO1290		BOLT, 5/8" X 1-3/4" LG.
ITEM	PART NO.	QTY.	DESCRIPTION

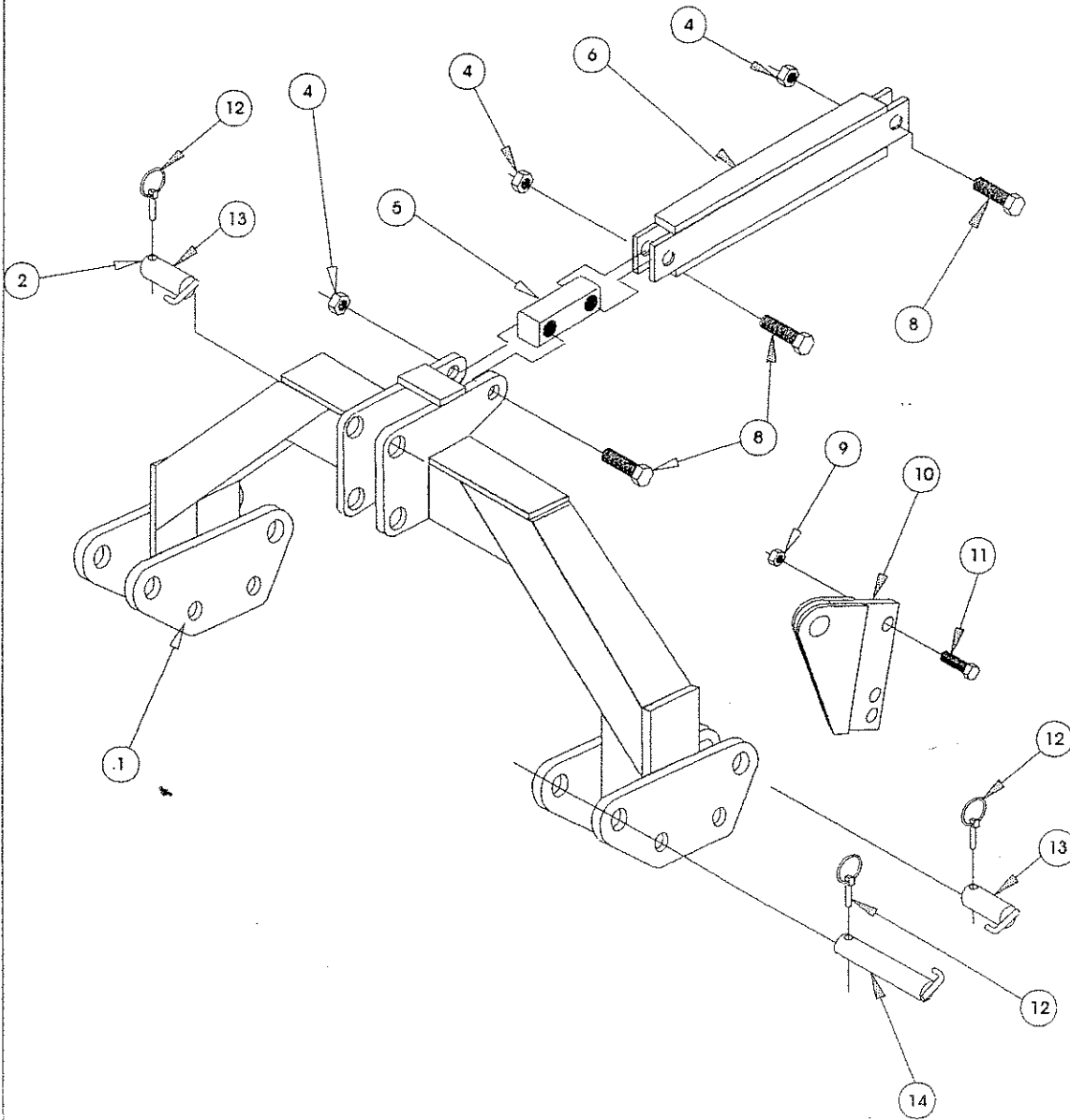
NOTE: ITEMS #11 THRU #21
USED ON 1500' WITH ROTOR
SPEED 1750 + 2000 RPM

8	X20092	2	BEARING, 1-3/4" 4-BOLT
7	XO2291	2	ZERK, 1/8" NPT
6	X12333	2	COUPLER, 1/8" NPT
5	X24179	2	HOSE, GREASE LINE (1/8" X 30" LG.)
4	X24236	2	SHAFT, 1-3/4" X 112-11/16" LG.(2000)
	X24235	2	SHAFT, 1-3/4" X 100-11/16" LG.(1800)
3	XO2408	4	KEY, 3/8" X 2-1/2" LG.
2	X12911	2	KIT, CROSS & BEARING (NOT SHOWN)
1	X24239	2	U-JOINT, 1-3/4"
ITEM	PART NO.	QTY.	DESCRIPTION


BALZER 	B	9-13-95	REVISED	DATE 1-19-95	DRIVE LINE ASSEMBLY MODELS 1800-2000	REF. NO. 20211
	REV.	DATE	DESCRIPTION OF REVISION	SCALE 1/4" = 1"		DRAWING NO. SC500106

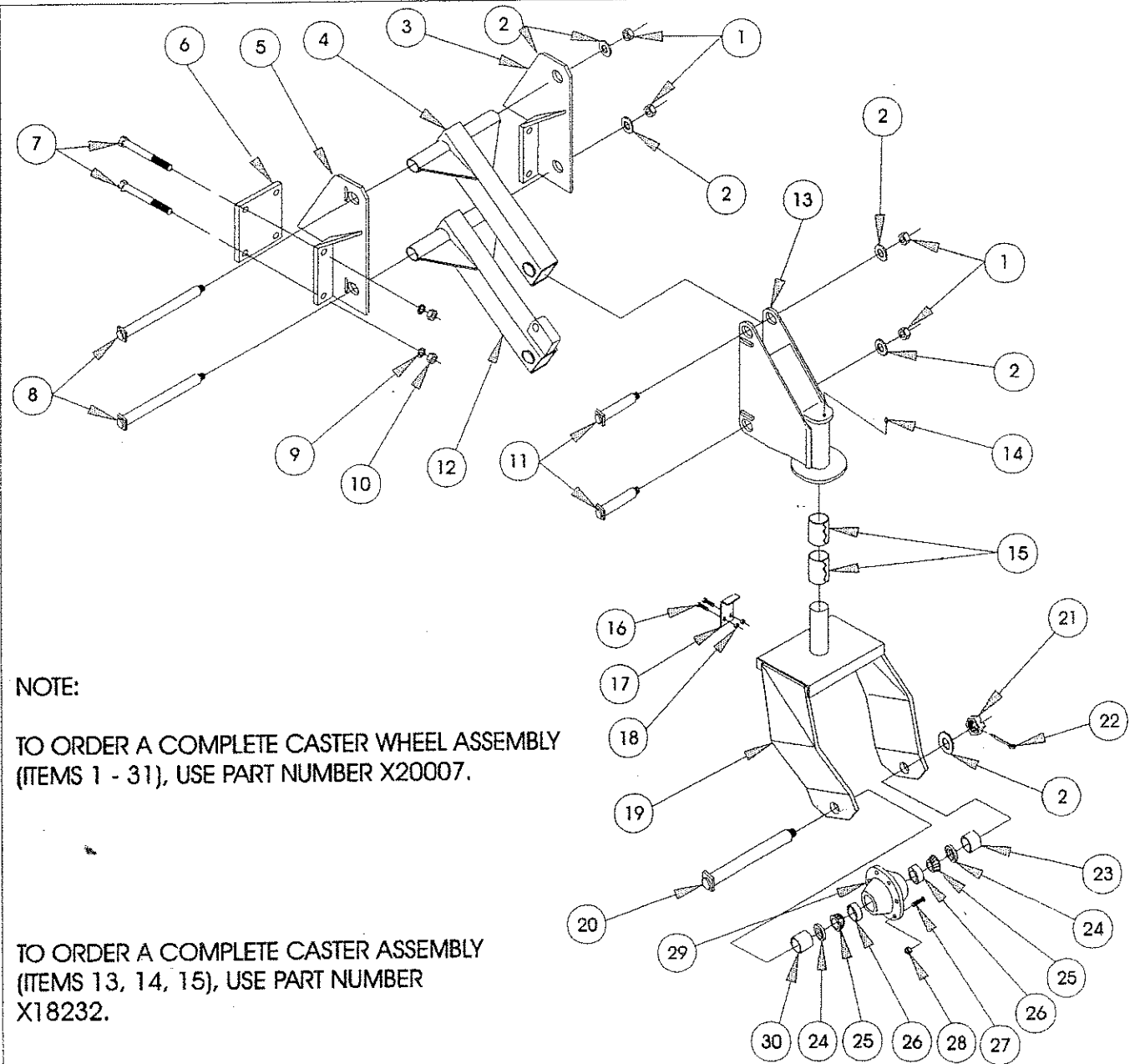


15	X24371	1	TUBE, MOUNTING (2000)	11	XO2546	1	NUT, 5/8" HEX HD. TOPLOCK
	X24417	1	TUBE, MOUNTING (1800)	10	XO1602	1	FLATWASHER, 5/8"
	X28416	1	TUBE, MOUNTING (1500)	9	XO1293	1	BOLT, 5/8" X 2-1/2" LG. HEX HD
	X28415	1	TUBE, MOUNTING (1200)				
14	XO1290		BOLT, .62 X 1.75	5	XO1777	6	NUT, 3/4" HEX HD. TOPLOCK
13	XO1291		BOLT, 5/8" X 2" LG. HEX HD	4	XO1313	6	BOLT, 3/4" X 2-1/2" LG. HEX HD.
12	XO1294		BOLT, 5/8" X 2.75" LG. HEX HD	3	X17299	2	PIN, 1-7/16" DIA. X 9" LG.
ITEM	PART NO.	QTY.	DESCRIPTION	ITEM	PART NO.	QTY.	DESCRIPTION
				DATE: 2002-09-14 SCALE: 1/4" = 1" DRAWN: TWS		SEMI-MOUNT PARTS 1200-1500-1800-2000	
REV. DATE DESCRIPTION OF REVISION				REVISED		REF. NO. 20215 DRAWING NO. SC500116	



20	X01609	4	FLAT WASNER 1.37"	10	X24355	2	MOUNT, PIVOT
14	X36334	2	8.5" LG	9	XO1777	6	NUT, 3/4" HEX HD. (LOCKING)
13	X36336	2	PIN, 3.62" LG.	8	XO1349	3	BOLT, 1" X 6" LG. HEX HD.
12	XO2584	5	PIN, 7/16" X 2" LYNCH				
11	XO1313	6	BOLT, 3/4" X 2-1/2" LG. HEX HD.	6	X24362	1	TUBE, LIFT
				5	X24570	1	TUBE, LINKAGE
				4	XO1779	3	NUT, 1" HEX HD. (LOCKING)
				2	X36352	2	PIN, 1-1/4" X 4.75" LG.
				1	X24347	1	"A" - FRAME
ITEM	PART NO.	QTY.	DESCRIPTION	ITEM	PART NO.	QTY.	DESCRIPTION

	B	9-13-95	REVISED	DATE	1-23-95	FULL MOUNT PARTS CONVENTIONAL SHREDDER 2200-2650	REF. NO.	20212
	REV	DATE	DESCRIPTION OF REVISION	SCALE	1/2" = 1"		DRAWING NO.	SC500115



NOTE:

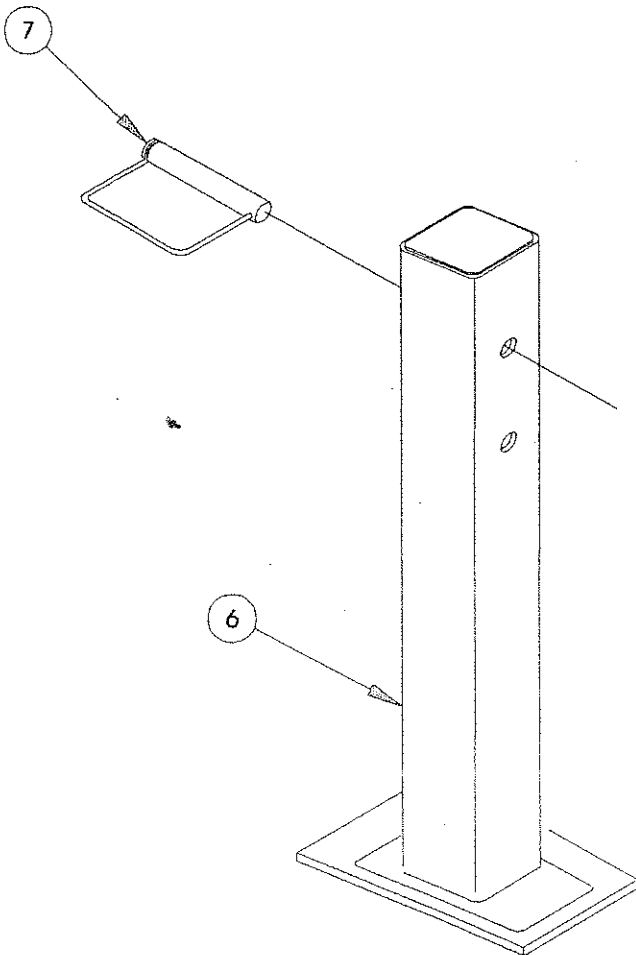
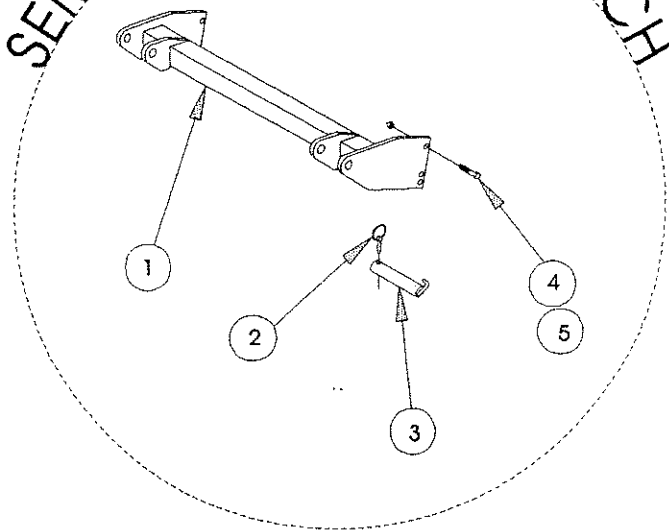
TO ORDER A COMPLETE CASTER WHEEL ASSEMBLY (ITEMS 1 - 31), USE PART NUMBER X20007.

TO ORDER A COMPLETE CASTER ASSEMBLY (ITEMS 13, 14, 15), USE PART NUMBER X18232.

31	XO8125	1	WHEEL, 15" X 6" 6-BOLT (NOT SHOWN)	16	XO1206	2	BOLT, 3/8" X 1" LG. HEX HD.
30	X18887	1	SPACER	15	X18888	2	BUSHING, 2" TENSION
29	X18935	1	HUB, 6-BOLT W/CUPS	14	XO2291	1	ZERK, 1/8" NPT GREASE
28	XO2605	6	NUT, WHEEL	13	X18886	1	HOUSING, CASTER
27	XO2604	6	STUD, WHEEL	12	X18182	1	LINK, CASTER BOTTOM
26	XO7598	2	CUP BEARING	11	X18192	2	PIN, SHORT PIVOT
25	X18900	2	CONE, BEARING	10	XO1697	8	NUT, 3/4" HEX HD.
24	X18934	2	SEAL	9	XO1641	8	LOCKWASHER, 3/4"
23	X18905	1	SPACER	8	X18191	2	PIN, LONG PIVOT
22	XO2048	1	PIN, 5/32" X 2-1/2" LG. COTTER	7	XO1325	8	BOLT, 3/4" X 8" LG. HEX HD.
21	XO1754	1	NUT, 1" CASTLE	6	X18175	2	PLATE, MOUNTING
20	X18891	1	SPINDLE, 1-1/2" DIA. X 13-1/2" LG.	5	X18177	1	ANGLE, L.H. MOUNTING
19	X18889	1	FORK, CASTER	4	X18181	1	LINK, CASTER TOP
18	XO2496	2	NUT, 3/8" HEX HD. (LOCKING)	3	X18176	1	ANGLE, R.H. MOUNTING
17	X18893	1	BRACKET, RETAINER	2	XO1605	5	FLATWASHER, 1"
ITEM	PART NO.	QTY.	DESCRIPTION	1	XO2591	4	NUT, 1" UNF HEX HD. (LOCKING)
				ITEM	PART NO.	QTY.	DESCRIPTION

	B	9-13-95	REVISED	DATE	1-12-95	CASTER ARM ASSEMBLY	REF. NO.	20204
	REV.	DATE	DESCRIPTION OF REVISION	SCALE	1/4" = 1"		DRAWN	TWS

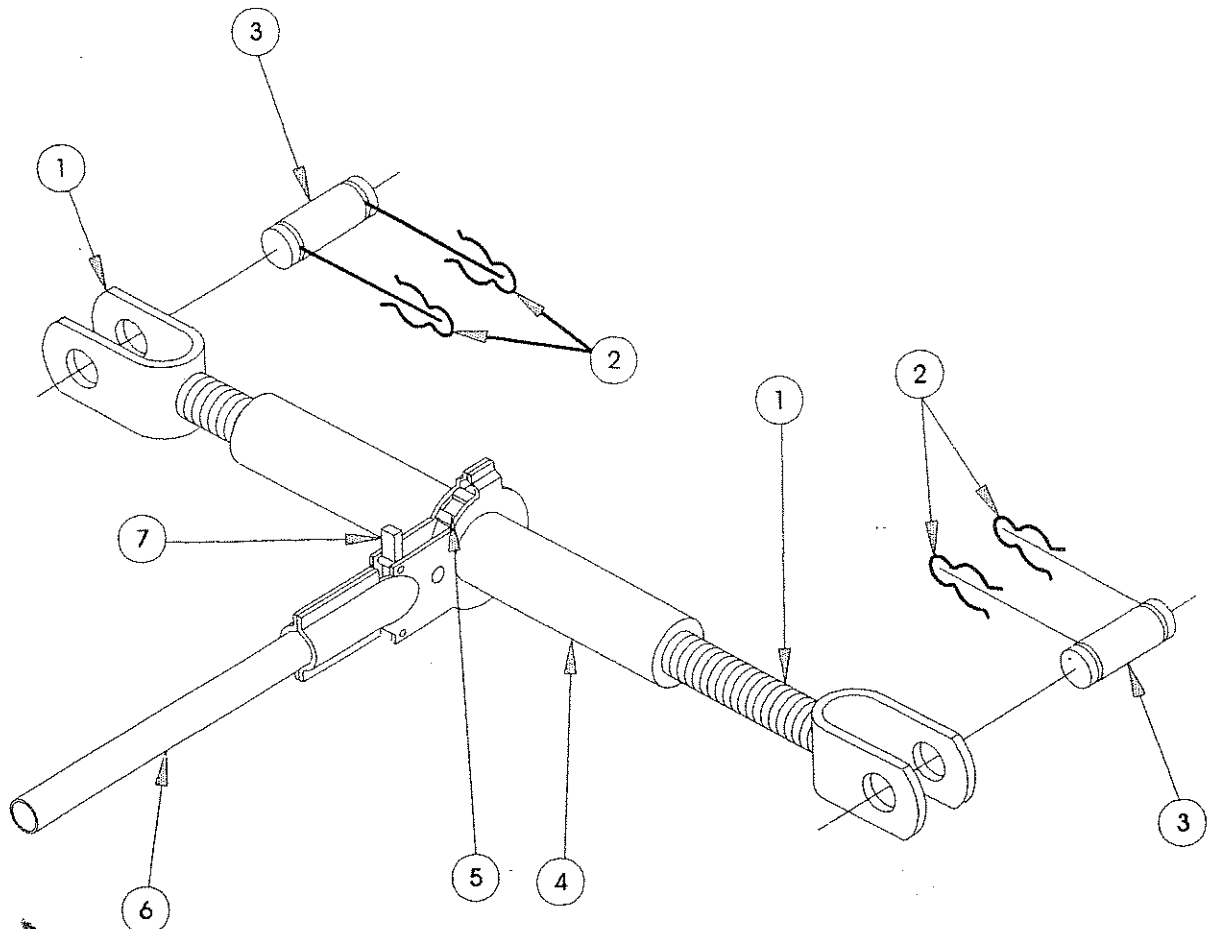
SEMI MOUNT 2-POINT HITCH



5	XO1777	6	NUT, 3/4" HEX HD. TOPLOCK
4	XO1313	6	BOLT, 3/4" X 2-1/2" LG. HEX HD.
3	X17299	2	PIN, 1-7/16" DIA. X 9" LG.
2	XO2584	2	PIN, 7/16" LYNCH
1	X24377	1	HITCH, 2-POINT

7	X24384	2	PIN, HITCH
6	X28476	1	STAND, JACK
ITEM	PART NO.	QTY.	DESCRIPTION

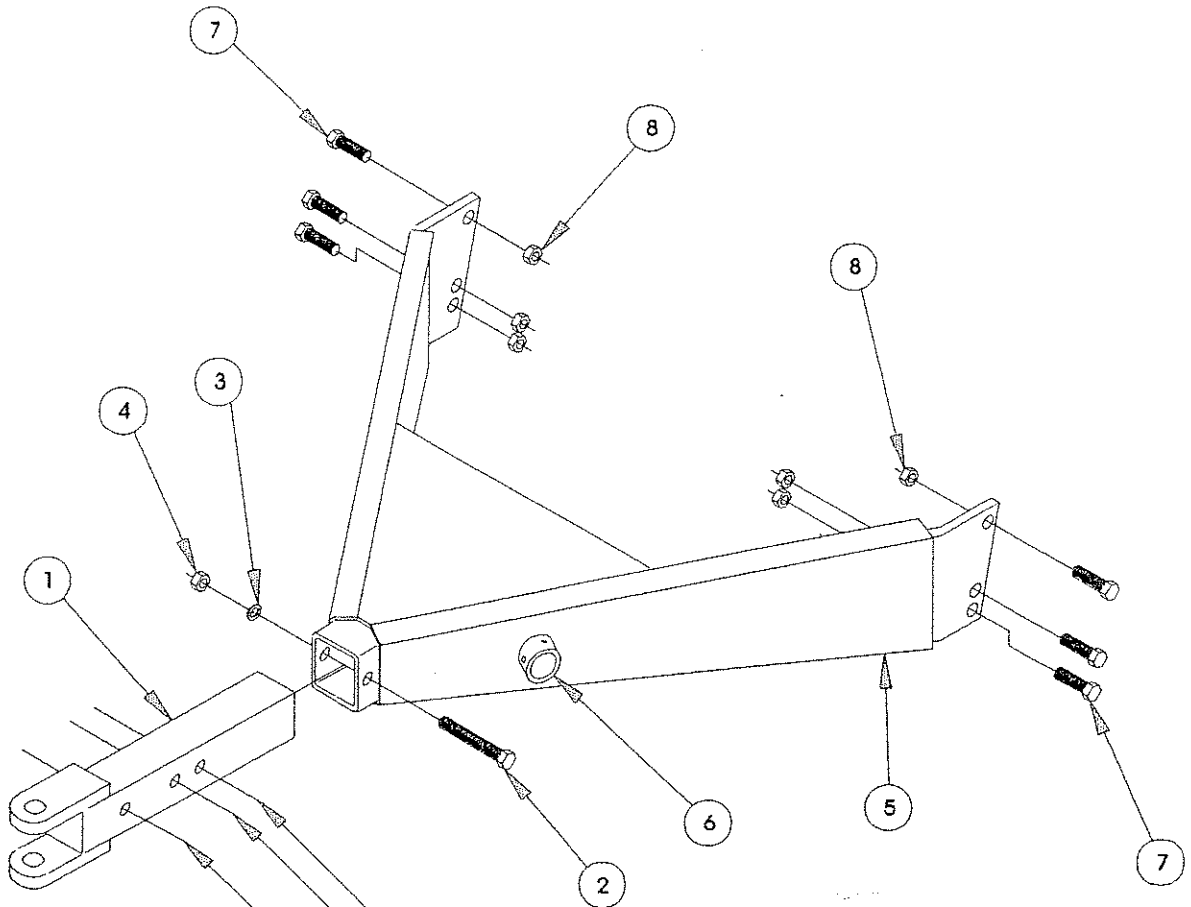
BALZER	B	9-13-95	REVISED	DATE	2-28-95	JACK STAND	REF. NO.	20226
	REV.	DATE	DESCRIPTION OF REVISION	SCALE	1/4" = 1"		DRAWING NO.	SC500113



NOTE:

TO ORDER A COMPLETE RATCHET JACK ASSEMBLY, USE PART NUMBER X12267.

7	X12954	1	FINGER, RATCHET
6	X12956	1	HANDLE
5	X12953	1	RATCHET
DESCRIPTION			
4	X12952	1	HOUSING, MAIN
3		2	PIN, 1" DIA. (INCLUDED W/JACK)
2		4	CLIP, HAIR PIN (INCLUDED W/JACK)
1	X12951	2	SCREW YOKE ASSEMBLY
ITEM	PART NO.	QTY.	DESCRIPTION
			REF. NO. 12267
			DRAWING NO. SC5001
BALZER		B	9-13-95
REV.	DATE	DESCRIPTION OF REVISION	REVISED
		DATE: 2-28-95	SCALE: 1/8" = 1"
		DRAWN: TWS	
RATCHET JACK ASSEMBLY			



USE THIS ADJUSTMENT MOUNTING HOLE FOR 1-3/4" 1000 RPM PTO.

USE THIS ADJUSTMENT MOUNTING HOLE FOR 1-3/8" 1000 RPM PTO.

USE THIS ADJUSTMENT MOUNTING HOLE FOR 540 RPM PTO.

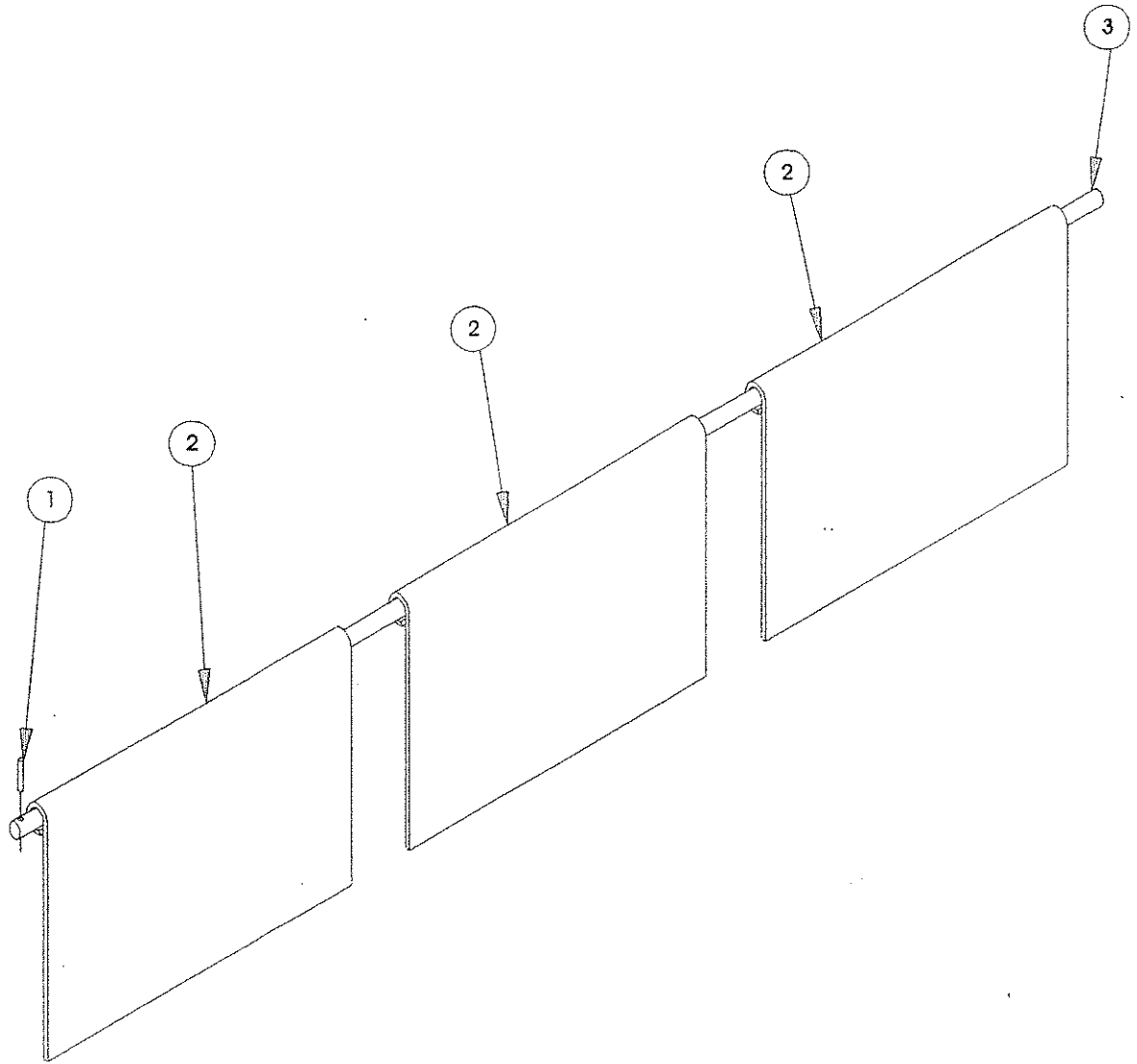
NOTE:


TO ORDER A COMPLETE PULL TYPE HITCH (ITEMS 1 & 5), USE PART NUMBER X24283.

ITEM #6 (X10520) IS INCLUDED WITH TONGUE HITCH, BUT CAN BE ORDERED SEPARATE.

8	XO1777	6	NUT, 3/4" HEX HD. [LOCKING]	4	XO1697	1	NUT, 3/4" HEX HD.
7	XO1313	6	BOLT, 3/4" X 2-1/2" LG. HEX HD.	3	XO1641	1	LOCKWASHER, 3/4"
6	X10520	1	SWIVEL, MALE (INCLUDED W/ITEM #5)	2	XO1320	1	BOLT, 3/4" X 5" LG. HEX HD.
5	X24284	1	HITCH, TONGUE	1	X24295	1	TONGUE, ADJUSTING
ITEM	PART NO.	QTY.	DESCRIPTION	ITEM	PART NO.	QTY.	DESCRIPTION

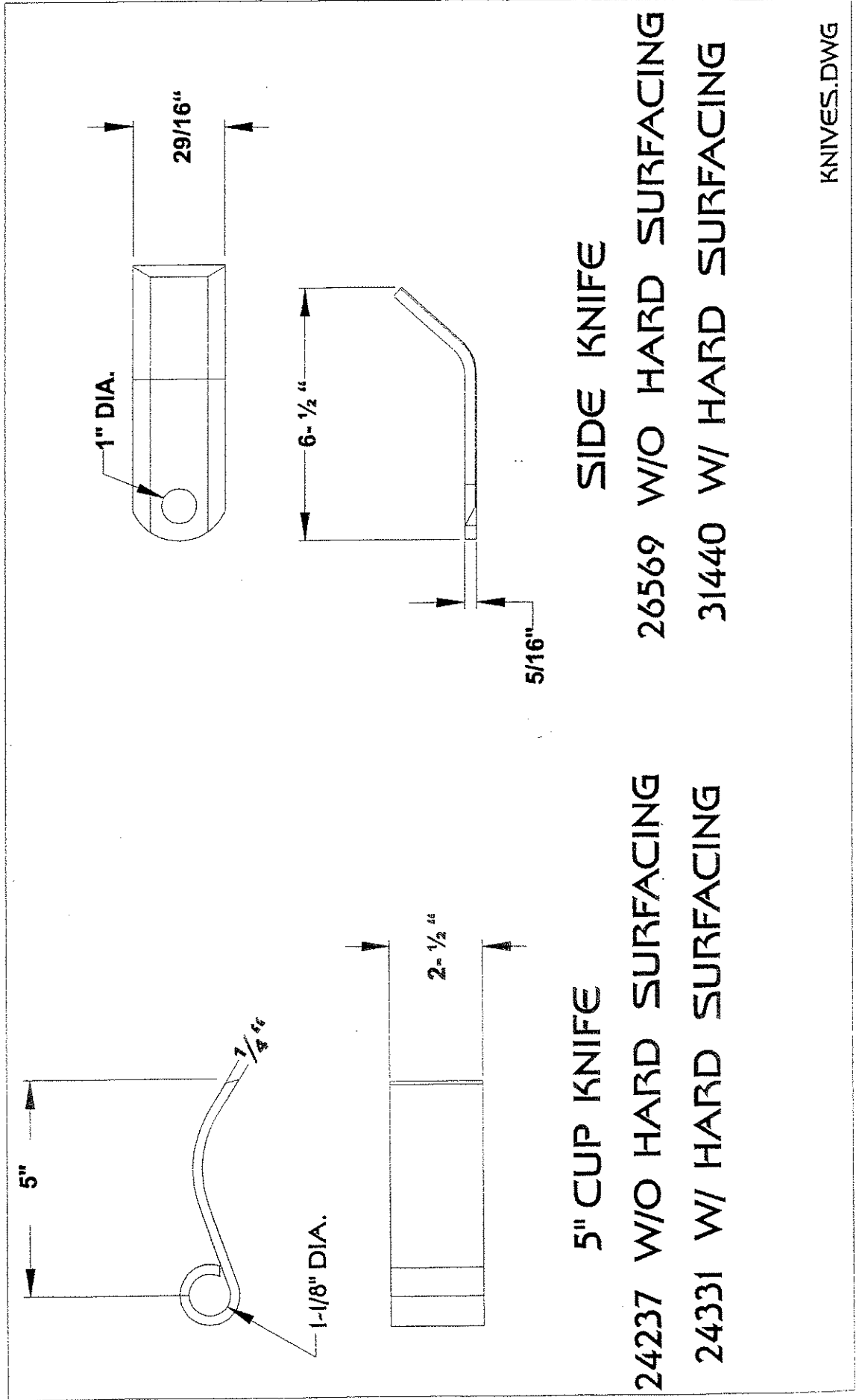
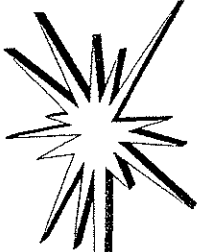
BALZER		B	9-13-95	REVISED	DATE 1-16-96	PULL TYPE HITCH	REF. NO. 20209
REV.	DATE	DESCRIPTION OF REVISION		SCALE 1/4" = 1"	DRAWN TAS		DRAWING NO. SC500110

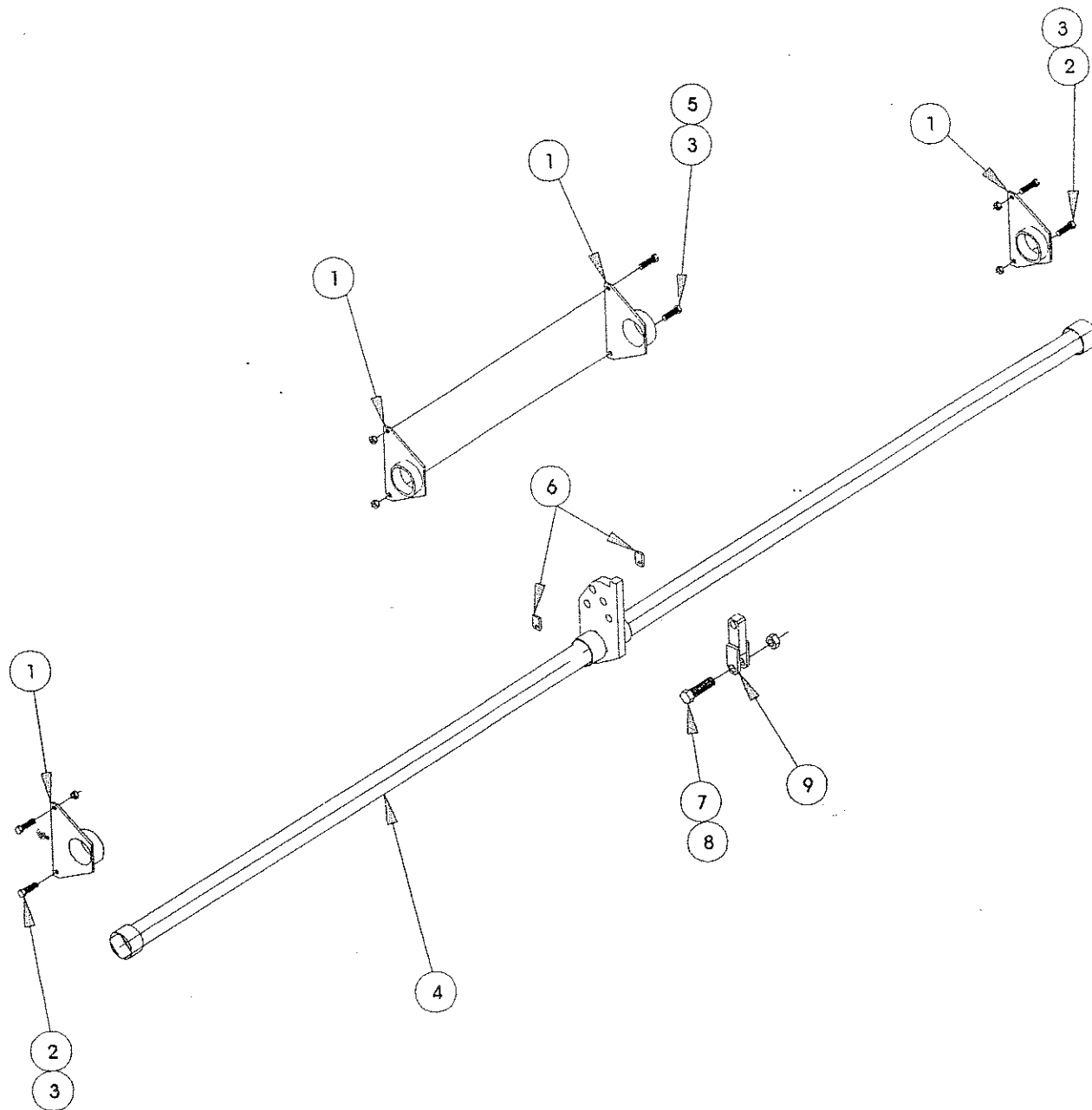


3	X24104	2	ROD, HINGE (20 FT. UNIT)	2	X28450		GUARD, HINGING 5 5/8	
	X24103	2	ROD, HINGE (18 FT. UNIT)		X28045		GUARD, HINGING 11 3/8	
	X24188	2	ROD, HINGE (15 FT. UNIT)		1	XO1850	2	PIN, 1/8" X 1" LG. ROLL
	X12365	2	ROD, HINGE (25 FT. UNIT)					
ITEM	PART NO.	QTY.	DESCRIPTION	ITEM	PART NO.	QTY.	DESCRIPTION	
				B	9-13-95		REVISED	
	REV.	DATE	DESCRIPTION OF REVISION	DATE	1-13-95		SCALE 1/4" = 1"	
				DRAWN	TWS			
				HINGING GUARD & ROD			REF. NO. 20205	
							DRAWING NO. SC50010	

Knife Options

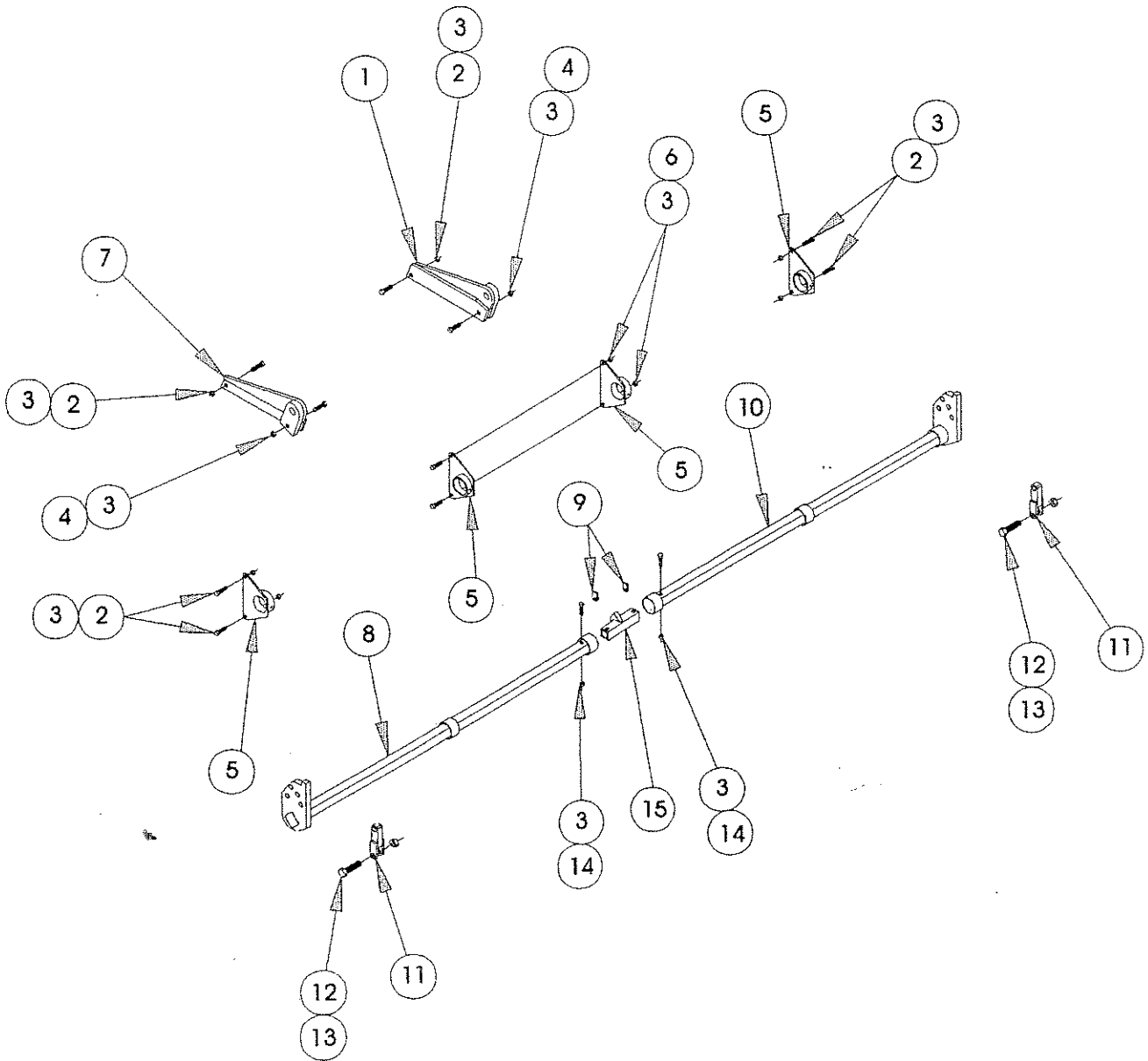
BALZER





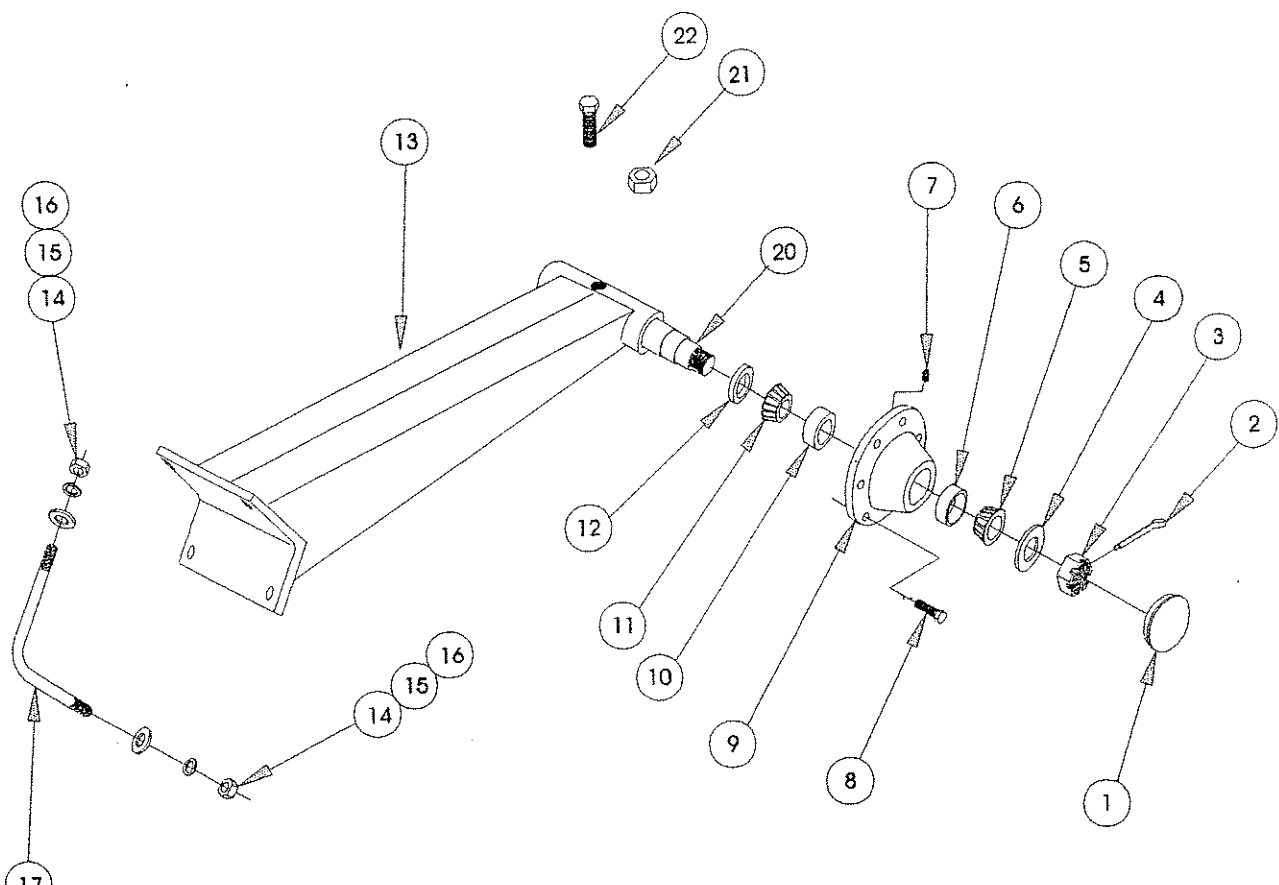
ITEM	PART NO.	QTY.	DESCRIPTION
9	X24276	1	ARM CLEVIS
8	XO1779		NUT, 1" HEX HD TOPLOCK
7	XO1354		BOLT, 1" X 3-1/4" LG. HEX HD
6	X24282	2	SPACER, LOWER
5	XO1293		BOLT, 5/8" X 2-1/2" LG. HEX HD
4	X24265	1	ROCKSHAFT (15 FT.)
	X24264	1	ROCKSHAFT (12 FT.)
3	XO2546		NUT, 5/8" HEX HD TOPLOCK
2	XO1290		BOLT, 5/8" X 1-3/4" LG. HEX HD.
1	X24271	4	BEARING, ROCKSHAFT

ITEM	PART NO.	QTY.	DESCRIPTION
			REVISED
			DATE 1-26-95
			SCALE 1/4" = 1"
			DRAW TWS
			ROCKSHAFT
			MODELS 1200 - 1500
			REF. NO. 20
			DRAWING NO. SC500



15	X24301	1	BAR, ROCKSHAFT SPLICE	8	X24312	1	ROCKSHAFT, R. H. (2000)
14	XO1298		BOLT, 5/8" X 3-3/4" LG. HEX HD.		X24266	1	ROCKSHAFT, R. H. (1800)
13	XO1779		NUT, 1" HEX HD TOPLOCK	7	X24315	1	MOUNT, L. H. CYLINDER
12	XO1354		BOLT, 1" X 3.25" HEX HD	6	XO1294		BOLT, 5/8" X 2-3/4" LG. HEX HD.
11	X24276	2	ARM, CLEVIS	5	X24271	8	BEARING, ROCKSHAFT
10				4	XO1291		BOLT, 5/8" X 2" HEX HD.
	X24313	1	ROCKSHAFT, L. H. (2000)	3	XO2546		NUT, 5/8" HEX HD TOPLOCK
	X24267	1	ROCKSHAFT, L. H. (1800)	2	XO1290		BOLT, 5/8" X 1-3/4" HEX HD.
9	X24282	2	SPACER, LOWER	1	X23414	1	MOUNT, R. H. CYLINDER
ITEM	PART NO.	QTY.	DESCRIPTION	ITEM	PART NO.	QTY.	DESCRIPTION

BALZER	B	9-13-95	REVISED	DATE	1-27-95	ROCKSHAFT MODELS 1800-2000	REF. NO.	20214
	REV.	DATE	DESCRIPTION OF REVISION	SCALE	1/4" = 1"		DRAWN	TWS



NOTE:

TO ORDER A COMPLETE WHEEL ARM ASSEMBLY
(ITEMS 1, 2, 3, 4, 5, 6, 7, 8, 9, 10, 11, 12,
13), USE PART NUMBER X28423

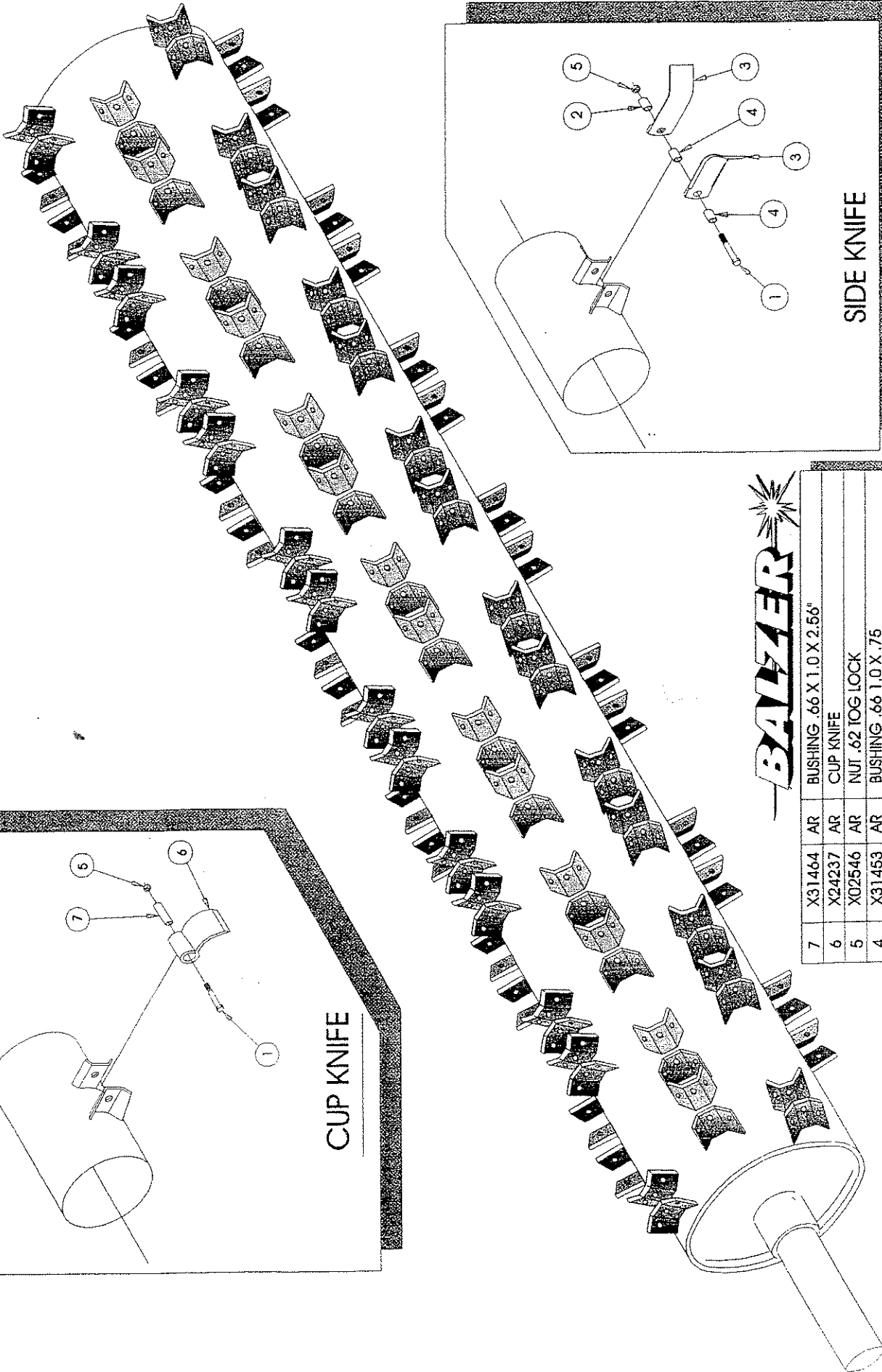
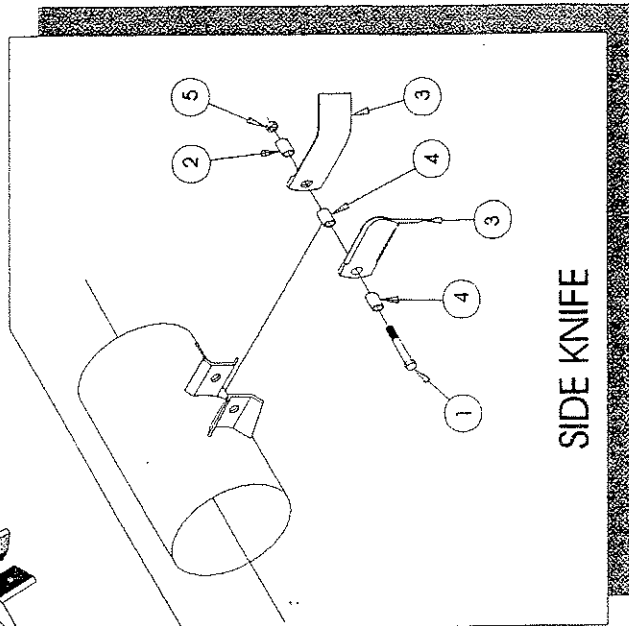
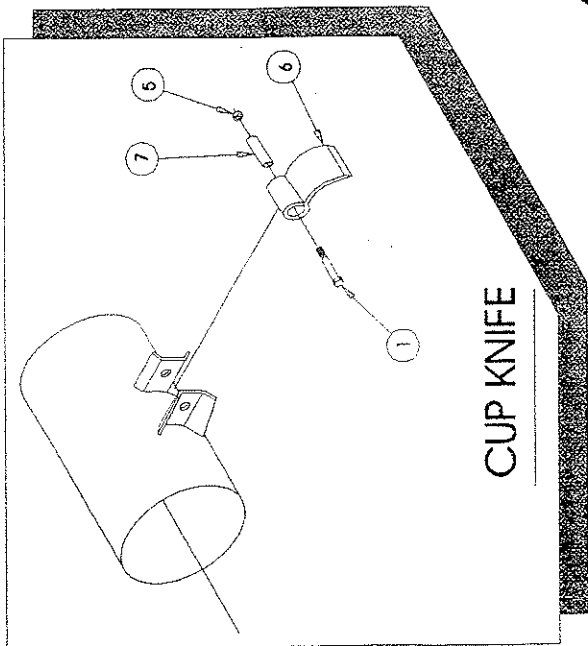
TO ORDER A COMPLETE DUAL ARM ASSEMBLY
(ITEM 19, NOT SHOWN), USE PART NUMBER
X21490.

TO ORDER A COMPLETE HUB AND SPINDLE ASSEMBLY
(ITEMS 5, 6, 7, 8, 9, 10, 11, 12),
USE PART NUMBER X18240

22	X01257	1	BOLT .5 X 3 1/4 GR 5
21	X02539	1	NUT .5 HEX HD TOP LOCK
20	X18241	1	SPINDLE
19	X21490	1	DUAL WHEEL ARM ASSEMBLY (NOT SHOWN)
18	X08125	1	WHEEL, 15" 6-BOLT (NOT SHOWN)
17	X15354	1	BOLT, WHEEL ARM
16	X01602	2	FLATWASHER, 5/8"
15	X01640	2	LOCKWASHER, 5/8"
14	X01696	2	NUT, 5/8" HEX HD.
13	X28425	1	ARM, WHEEL
12	X06572	1	SEAL, GREASE
11	X06573	1	CONE, INNER
10	X06574	1	CUP, INNER

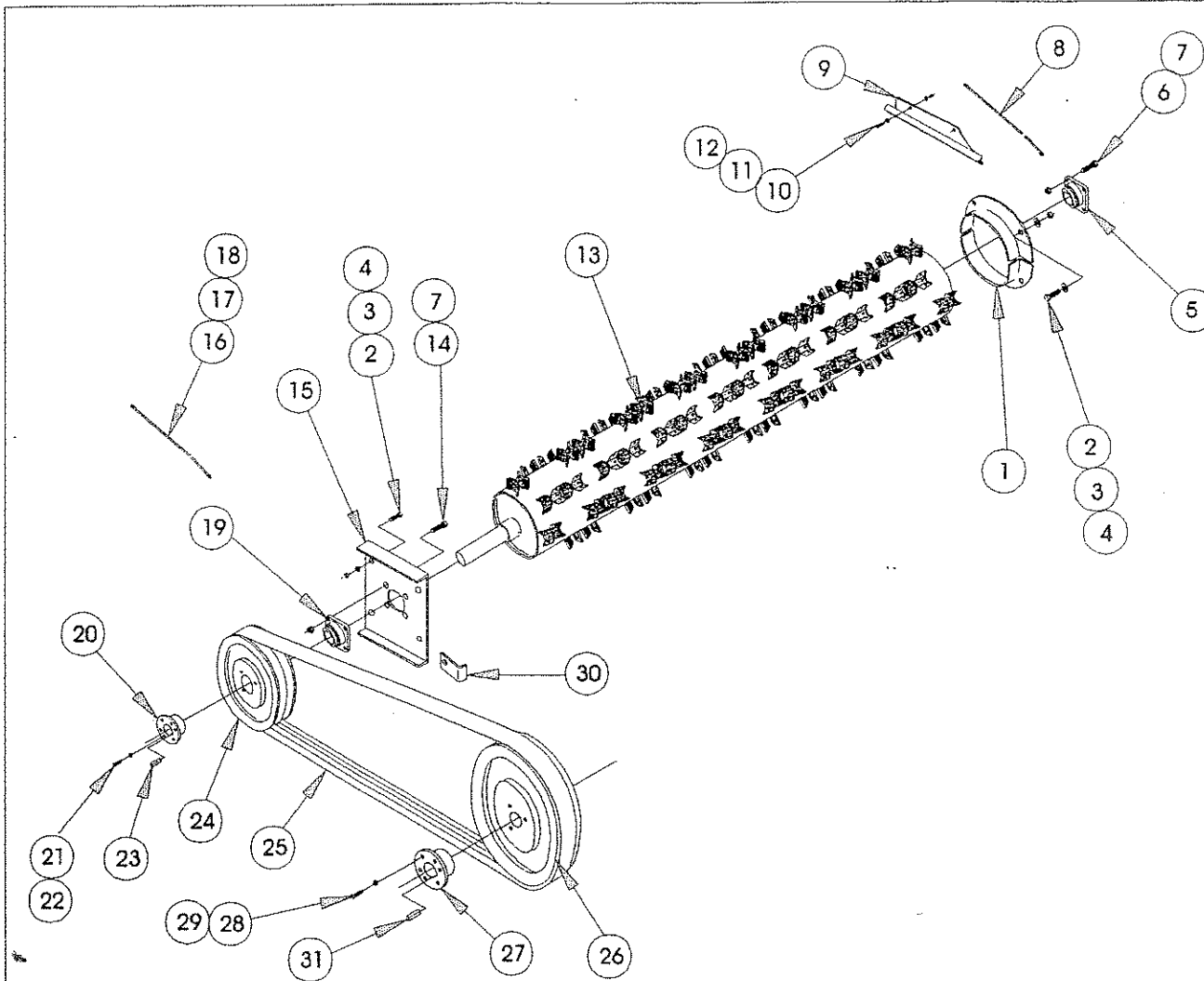
9	X12441	1	HUB, 6-BOLT W/CUPS
8	X09089	6	BOLT, 1/2"-20 UNF X 1-1/2" LG. WHEEL
7	X02286	1	ZERK, 1/4"-28
6	X06663	1	CUP, OUTER
5	X06665	1	CONE, OUTER
4	X01605	1	FLATWASHER, 1"
3	X01754	1	NUT, 1" CASTLE
2	X02048	1	PIN, 5/32" X 2-1/2" LG. COTTER
1	X12442	1	CAP, HUB W/ZERK
	X06666	1	CAP, HUB

ITEM	PART NO.	QTY.	DESCRIPTION	ITEM	PART NO.	QTY.	DESCRIPTION
				B	9-13-95		REVISED
				REV.	DATE		DESCRIPTION OF REVISION
				DATE	1-24-95		
				SCALE	1/4" = 1"		
				DRAWN	TWS		
						WHEEL ARM ASSEMBLY REMOVABLE	
						REF. NO.	20219
						DRAWING NO.	SC500117



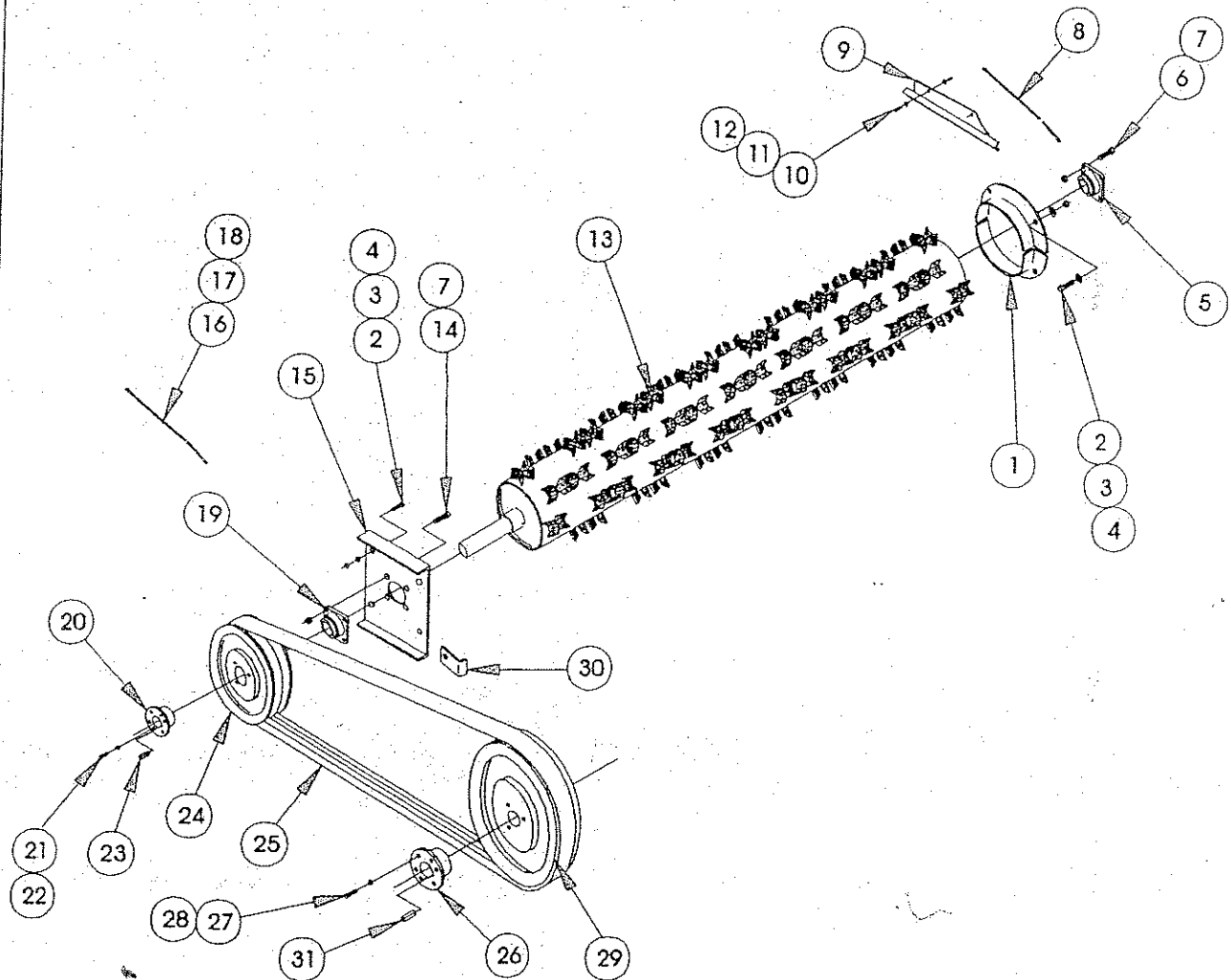
BALZER

7	X31464	AR	BUSHING .66 X 1.0 X 2.56"
6	X24237	AR	CUP KNIFE
5	X02546	AR	NUT .62 TOG LOCK
4	X31453	AR	BUSHING .66 1.0 X .75
3	X26569	AR	SIDE KNIFE
2	X31454	AR	BUSHING .66 X 1.25 X .88"
1	X02633	AR	BOLT .62 X 4 GR8



21				BOLT (INCLUDED W/X26870)	21				BOLT (INCLUDED W/X26870)
20	X26870	2		BUSHING, 2-3/16" QD	20	X26870	2		BUSHING, 2-3/16" QD
19	X26872	2		BEARING, 2-3/16" 4-BOLT (ECCENTRIC)	19	X26872	2		BEARING, 2-3/16" 4-BOLT (ECCENTRIC)
18	XO2291	2		ZERK, 1/8" STR. NPT	18	XO2291	2		ZERK, 1/8" STR. NPT
17	X12333	2		COUPLER, 1/8" NPT	17	X12333	2		COUPLER, 1/8" NPT
16	X24178	2		HOSE, GREASE LINE (1/8" X 10" LG.)	16	X24178	2		HOSE, GREASE LINE (1/8" X 10" LG.)
15	X24100	2		STIFFENER, BEARING	15	X24100	2		STIFFENER, BEARING
14	XO1290			BOLT, 5/8" X 1.75" LG. HEX HD.	14	XO1290			BOLT, 5/8" X 1.75" LG. HEX HD.
13	X27510	2		ROTOR, 8" DIA. (2000)	13	X27510	2		ROTOR, 8" DIA. (2000)
	X27509	2		ROTOR, 8" DIA. (1800)		X27509	2		ROTOR, 8" DIA. (1800)
12	XO2496			NUT, 3/8" HEX HD. TOPLock	12	XO2496			NUT, 3/8" HEX HD. TOPLock
11	XO1598	8		FLATWASHER, 3/8"	11	XO1598	8		FLATWASHER, 3/8"
10	XO1207			BOLT, 3/8" X 1-1/4" HEX HD.	10	XO1207			BOLT, 3/8" X 1-1/4" HEX HD.
9	X28041	1		SHIELD GREASE LINE LH	9	X28041	1		SHIELD GREASE LINE LH
	X28040	1		SHIELD GREASE LINE RH		X28040	1		SHIELD GREASE LINE RH
8	X24177	2		HOSE, GREASE LINE (1/8" X 21-1/2" L)	8	X24177	2		HOSE, GREASE LINE (1/8" X 21-1/2" L)
7	XO2546			NUT, 5/8" HEX HD. TOPLock	7	XO2546			NUT, 5/8" HEX HD. TOPLock
6	XO1295			BOLT, 5/8" X 3" LG. HEX HD.	6	XO1295			BOLT, 5/8" X 3" LG. HEX HD.
5	X26871	2		BEARING, 2-3/16" 4-BOLT (SET SCREW)	5	X26871	2		BEARING, 2-3/16" 4-BOLT (SET SCREW)
4	XO2475			NUT, 5/16" HEX HD. TOPLock	4	XO2475			NUT, 5/16" HEX HD. TOPLock
3	XO1597			FLATWASHER, 5/16"	3	XO1597			FLATWASHER, 5/16"
2	XO1186			BOLT, 5/16" X 1-1/4" LG. HEX HD.	2	XO1186			BOLT, 5/16" X 1-1/4" LG. HEX HD.
1	X28044	2		RING, GRASS (I-PC.)	1	X28044	2		RING, GRASS (I-PC.)
	X27589	4		RING, GRASS (2-PC.)		X27589	4		RING, GRASS (2-PC.)
31	XO2408	2		KEY .37" X 2.5"					
30	X24322	4		CLAMP, GREASE HOSE					
29				LOCKWASHER (INCLUDED W/X24222)					
28				BOLT (INCLUDED W/X24222)					
27	X24222	2		BUSHING, 1-3/4" QD					
26	X24074	2		SHEAVE, 16" 3C					
25									
	X28499	2		BELT, 3C 90					
24	X17476	2		SHEAVE, 8" 3C (1000 RPM SPEED-UP)					
	X24073	2		SHEAVE, 10.5" 3C (1000 RPM)					
23	XO2439	2		KEY, 1/2" X 2-1/2" LG.					
22				LOCKWASHER (INCLUDED W/X26870)					

ITEM	PART NO.	QTY.	DESCRIPTION	ITEM	PART NO.	QTY.	DESCRIPTION
				10" DIA. CYLINDER ASSEMBLY MODELS 1800 - 2000			
A		9-19-95	ORIGINAL RELEASE	DATE	9-19-95	REF. NO.	
REV.	DATE	DESCRIPTION OF REVISION		SCALE	1/8" = 1"	DRAWING NO.	
				DRAWN	TWS	SC5C	



21			BOLT (INCLUDED W/X26869)
20	X26869	2	BUSHING, 2-3/16" QD
19	X26872	2	BEARING, 2-3/16" 4-BOLT (ECCENTRIC LOCK)
18	XO2291	2	ZERK, 1/8" STR. NPT
17	X12333	2	COUPLER, 1/8" NPT
16	X24178	2	HOSE, GREASE LINE (1/8" X 10" LG.)
15	X24100	2	STIFFENER, BEARING
14	XO1290		BOLT, 5/8" X 1.75" LG. HEX HD.
13	X27508	2	ROTOR, 8" DIA. (2000)
	X27507	2	ROTOR, 8" DIA. (1800)
12	XO2496		NUT, 3/8" HEX HD. TOPLOCK
11	XO1598	8	FLATWASHER, 3/8"
10	XO1207		BOLT, 3/8" X 1-1/4" HEX HD.
9	X28041	1	SHIELD GREASE LINE LH
	X28040	1	SHIELD GREASE LINE RH
8	X24177	2	HOSE, GREASE LINE (1/8" X 21-1/2" LG.)
7	XO2546		NUT, 5/8" HEX HD. TOPLOCK
6	XO1294		BOLT, 5/8" X 3" LG. HEX HD.
5	X26871	2	BEARING, 2-3/16" 4-BOLT (SET SCREW LOCK)
4	XO2475		NUT, 5/16" HEX HD. TOPLOCK
3	XO1597		FLATWASHER, 5/16"
2	XO1186		BOLT, 5/16" X 1-1/4" LG. HEX HD.
1	X28044	2	RING, GRASS (I-PC.)
	X27589	4	RING, GRASS (2-PC.)
31	XO2408	2	KEY .37" X 2.5"
30	X24322	4	CLAMP, GREASE HOSE
29	X12391	2	SHEAVE, 16" 2C
28			LOCKWASHER (INCLUDED W/X12390)
27			BOLT (INCLUDED W/X12390)
26	X27469	2	BUSHING, 1-3/4" QD 2 GR PULLEY
25	X28437	2	BELT, 2C 90
24	X12388	2	SHEAVE, 10.5" 2C
23	XO2439	2	KEY, 1/2" X 2-1/2" LG.
22			LOCKWASHER (INCLUDED W/X26869)
ITEM	PART NO.	QTY.	DESCRIPTION
ITEM	PART NO.	QTY.	DESCRIPTION

BALZER		A	9-19-95	ORIGINAL RELEASE	DATE	9-19-95	10" DIA. CYLINDER ASSEMBLY MODELS 1200 - 1500	REF. NO.	20220
REV.	DATE			DESCRIPTION OF REVISION	DRWN	TWS		DRAWING NO.	SC500139

**KNIVES USED PER SHREDDER
SIDE KNIFE QUANTITIES 1997-PRESENT**

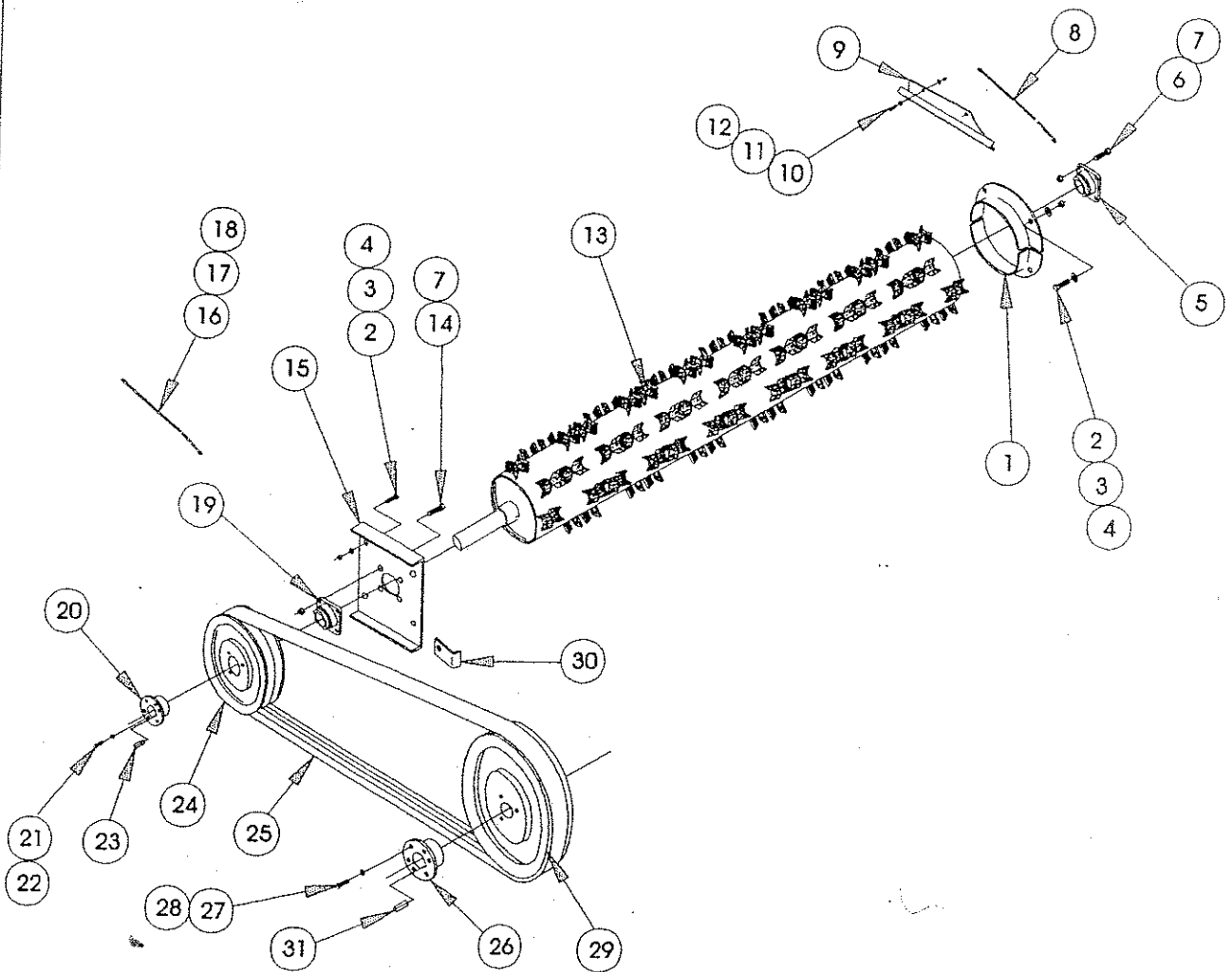
MODEL	AMOUNT (P/N's 26569 OR 3144)
1000	104
1200	128
1500	160
1800	192
2000	216
2200	240
2400	256
2500	264

CUP KNIFE QUANTITIES 1997-PRESENT

MODEL	AMOUNT (P/N 24237)
1000	52
1200	64
1500	80
1800	96
2000	108
2200	120
2400	128
2500	132

** (10" ROTOR) **

3/9/05



21			BOLT (INCLUDED W/X26869)
20	X26869	2	BUSHING, 2-3/16" QD
19	X26872	2	BEARING, 2-3/16" 4-BOLT (ECCENTRIC LOCK)
18	XO2291	2	ZERK, 1/8" STR. NPT
17	X12333	2	COUPLER, 1/8" NPT
16	X24178	2	HOSE, GREASE LINE (1/8" X 10" LG.)
15	X24100	2	STIFFENER, BEARING
14	XO1290		BOLT, 5/8" X 1.75" LG. HEX HD.
13	X27508	2	ROTOR, 8" DIA. (2000)
	X27507	2	ROTOR, 8" DIA. (1800)
12	XO2496		NUT, 3/8" HEX HD. TOPLOCK
11	XO1598	8	FLATWASHER, 3/8"
10	XO1207		BOLT, 3/8" X 1-1/4" HEX HD.
9	X28041	1	SHIELD GREASE LINE LH
	X28040	1	SHIELD GREASE LINE RH
8	X24177	2	HOSE, GREASE LINE (1/8" X 21-1/2" LG.)
7	XO2546		NUT, 5/8" HEX HD. TOPLOCK
6	XO1294		BOLT, 5/8" X 3" LG. HEX HD.
5	X26871	2	BEARING, 2-3/16" 4-BOLT (SET SCREW LOCK)
4	XO2475		NUT, 5/16" HEX HD. TOPLOCK
3	XO1597		FLATWASHER, 5/16"
2	XO1186		BOLT, 5/16" X 1-1/4" LG. HEX HD.
1	X28044	2	RING, GRASS (1-PC.)
	X27589	4	RING, GRASS (2-PC.)

31	XO2408	2	KEY .37" X 2.5"
30	X24322	4	CLAMP, GREASE HOSE
29	X12391	2	SHEAVE, 16" 2C
28			LOCKWASHER (INCLUDED W/X12390)
27			BOLT (INCLUDED W/X12390)
26	X27469	2	BUSHING, 1-3/4" QD 2 GR PULLEY
25	X28437	2	BELT, 2C 90
24	X12388	2	SHEAVE, 10.5" 2C
23	XO2439	2	KEY, 1/2" X 2-1/2" LG.
22			LOCKWASHER (INCLUDED W/X26869)
ITEM	PART NO.	QTY.	DESCRIPTION

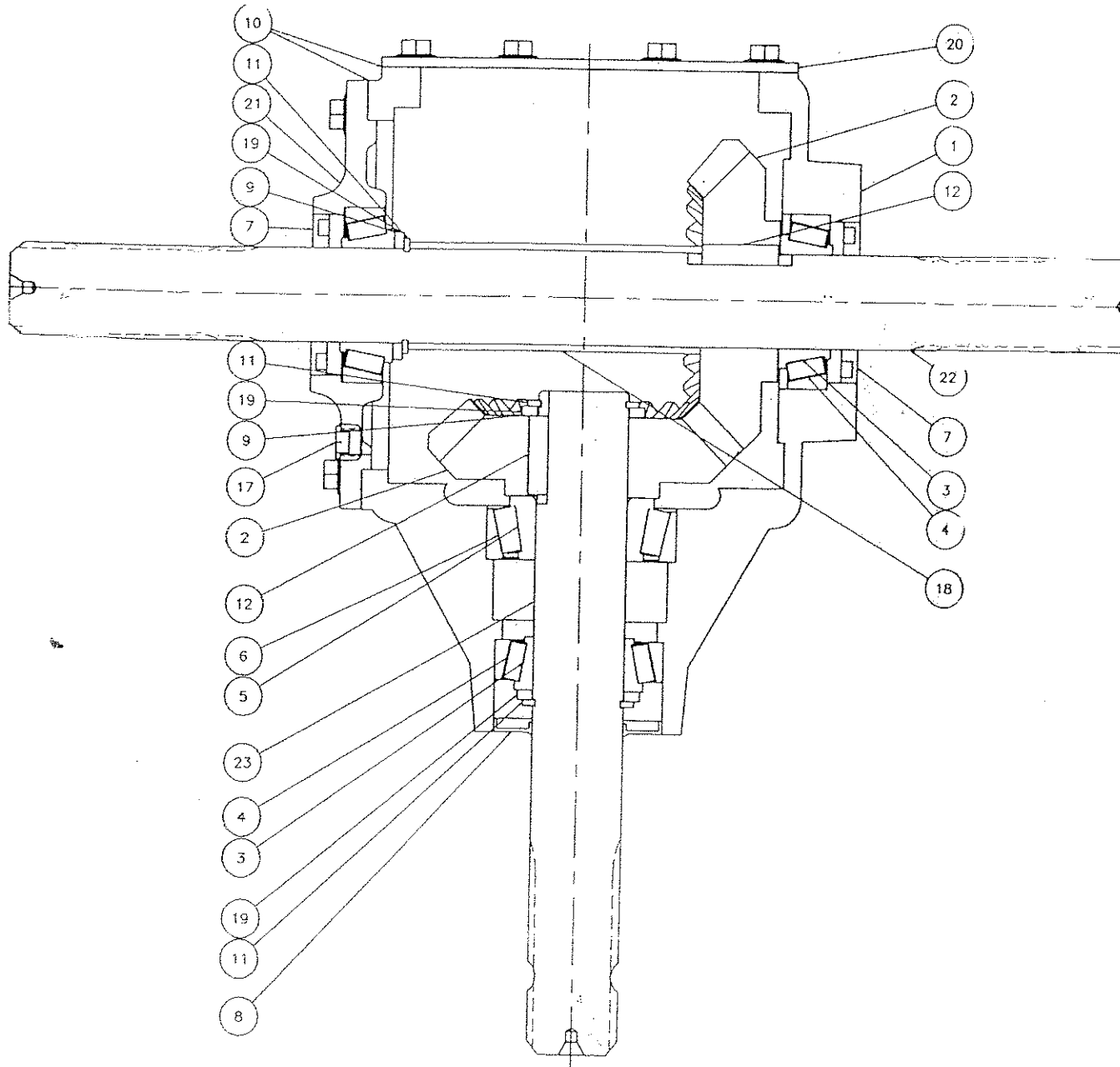
ITEM	PART NO.	QTY.	DESCRIPTION
21			BOLT (INCLUDED W/X26869)
20	X26869	2	BUSHING, 2-3/16" QD
19	X26872	2	BEARING, 2-3/16" 4-BOLT (ECCENTRIC LOCK)
18	XO2291	2	ZERK, 1/8" STR. NPT
17	X12333	2	COUPLER, 1/8" NPT
16	X24178	2	HOSE, GREASE LINE (1/8" X 10" LG.)
15	X24100	2	STIFFENER, BEARING
14	XO1290		BOLT, 5/8" X 1.75" LG. HEX HD.
13	X27508	2	ROTOR, 8" DIA. (2000)
	X27507	2	ROTOR, 8" DIA. (1800)
12	XO2496		NUT, 3/8" HEX HD. TOPLOCK
11	XO1598	8	FLATWASHER, 3/8"
10	XO1207		BOLT, 3/8" X 1-1/4" HEX HD.
9	X28041	1	SHIELD GREASE LINE LH
	X28040	1	SHIELD GREASE LINE RH
8	X24177	2	HOSE, GREASE LINE (1/8" X 21-1/2" LG.)
7	XO2546		NUT, 5/8" HEX HD. TOPLOCK
6	XO1294		BOLT, 5/8" X 3" LG. HEX HD.
5	X26871	2	BEARING, 2-3/16" 4-BOLT (SET SCREW LOCK)
4	XO2475		NUT, 5/16" HEX HD. TOPLOCK
3	XO1597		FLATWASHER, 5/16"
2	XO1186		BOLT, 5/16" X 1-1/4" LG. HEX HD.
1	X28044	2	RING, GRASS (1-PC.)
	X27589	4	RING, GRASS (2-PC.)



A	9-19-95	ORIGINAL RELEASE	DATE	9-19-95
REV.	DATE	DESCRIPTION OF REVISION	SCALE	1/4" = 1"
			DRAWN	TWS

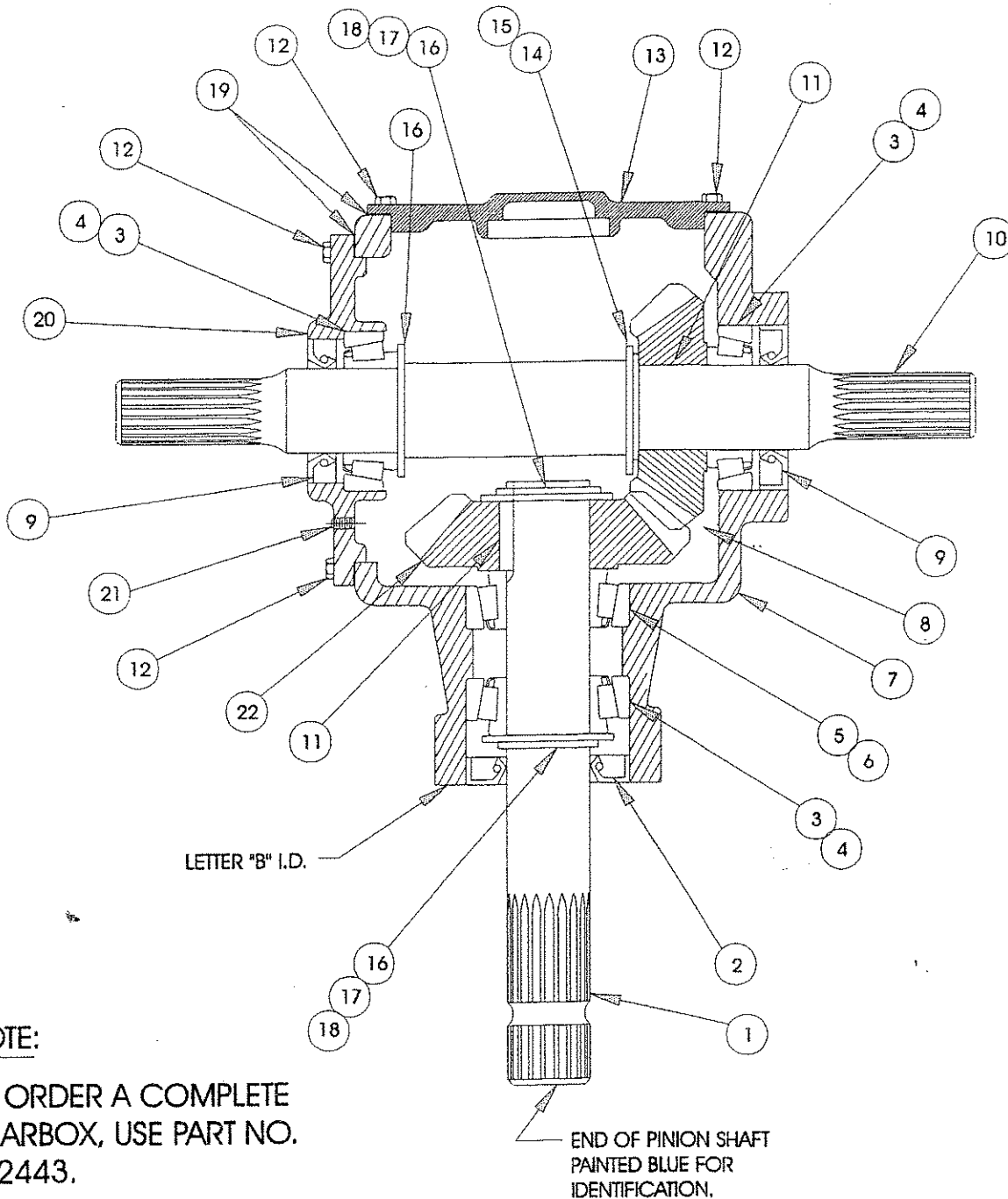
10" DIA. CYLINDER ASSEMBLY	REF. NO.	20220
MODELS 1200 - 1500	DRAWING NO.	SC500139

New Style Shredder Gearbox, 1000 RPM, Part# 8202



Started February 2004 3/9/05

1 3/8" OUTPUT SHAFT - OLD STYLE



NOTE:

TO ORDER A COMPLETE GEARBOX, USE PART NO. X22443.

25	X13038	1	BUSHING, 1/2" X 1/8" REDUCER (NOT SHOWN)	12	XO1206	16	BOLT, 3/8" UNC X 1" LG. HEX HD GR. 5
24	X13181	1	PLUG, 1/2" NPT PIPE (NOT SHOWN)	11	X17185	1	KEY, 3/8" SQ. X 1.46" LG.
23	X13097	1	PLUG, 1/8" NPT VENT (NOT SHOWN)	10	X22621	1	SHAFT, THRU
22	X22638	1	GEAR, 29T	9	X22264	2	SEAL OIL (NAT473448)
21	XO6997	1	PLUG, 1/4" NPT PIPE	8	X22637	1	GEAR, 16T
20	X22614	1	COVER, OPEN	7	X22595	1	HOUSING, SIDE PORT
19	X22604	AR.	SHIM, .007" (COVER)	6	X22602	1	CUP, BEARING (3730)
18	X22603	AR.	SHIM, .007" (1.75" DIA. SHAFT)	5	X17205	1	CONE, BEARING (3782)
17	X22606	2	RING, SNAP (5160 - 175)	4	XO8491	3	CUP, BEARING (25520)
16	X22611	3	WASHER, 1.75" I.D. X .179" THK.	3	X11477	3	CONE, BEARING (25581)
15	X22607	1	RING, SNAP (5160 - 200)	2	X22594	1	SEAL OIL
14	X22612	1	SPACER	1	X22620	1	SHAFT, QUILL
13	X22615	1	COVER, CLOSED				
ITEM	PART NO.	QTY.	DESCRIPTION	ITEM	PART NO.	QTY.	DESCRIPTION

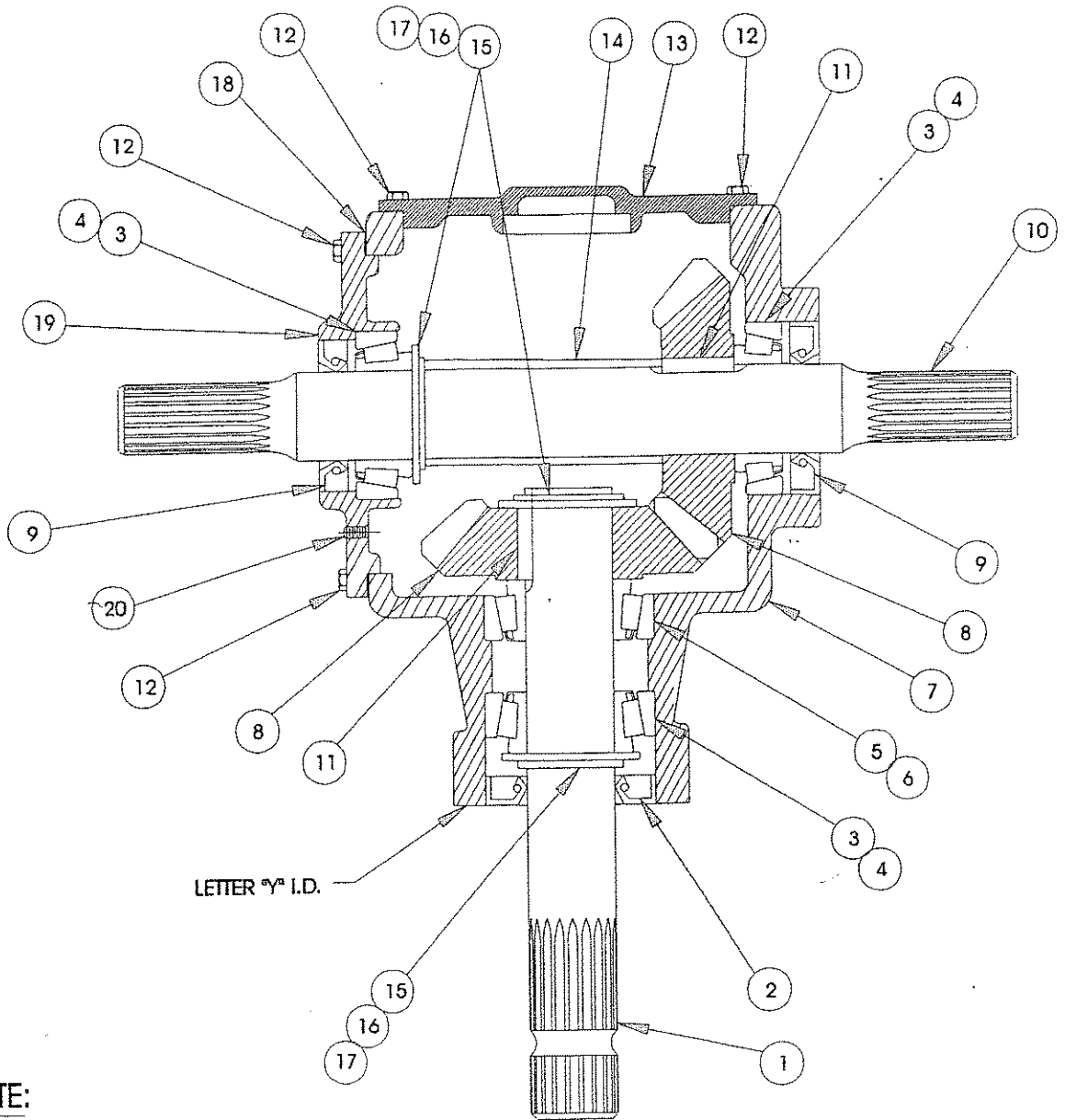


REV.	DATE	DESCRIPTION OF REVISION	DATE	SCALE	DRAWN
A	9-26-95	ORIGINAL RELEASE	9-26-95	1/4" = 1"	TMS

GEARBOX - 540 RPM
(1:1.81 RATIO)

REF. NO. 22443
DRAWING NO. SC500148

1 3/8" OUTPUT SHAFT - OLD STYLE



LETTER "A" I.D.

END OF PINION SHAFT
PAINTED YELLOW FOR
IDENTIFICATION.

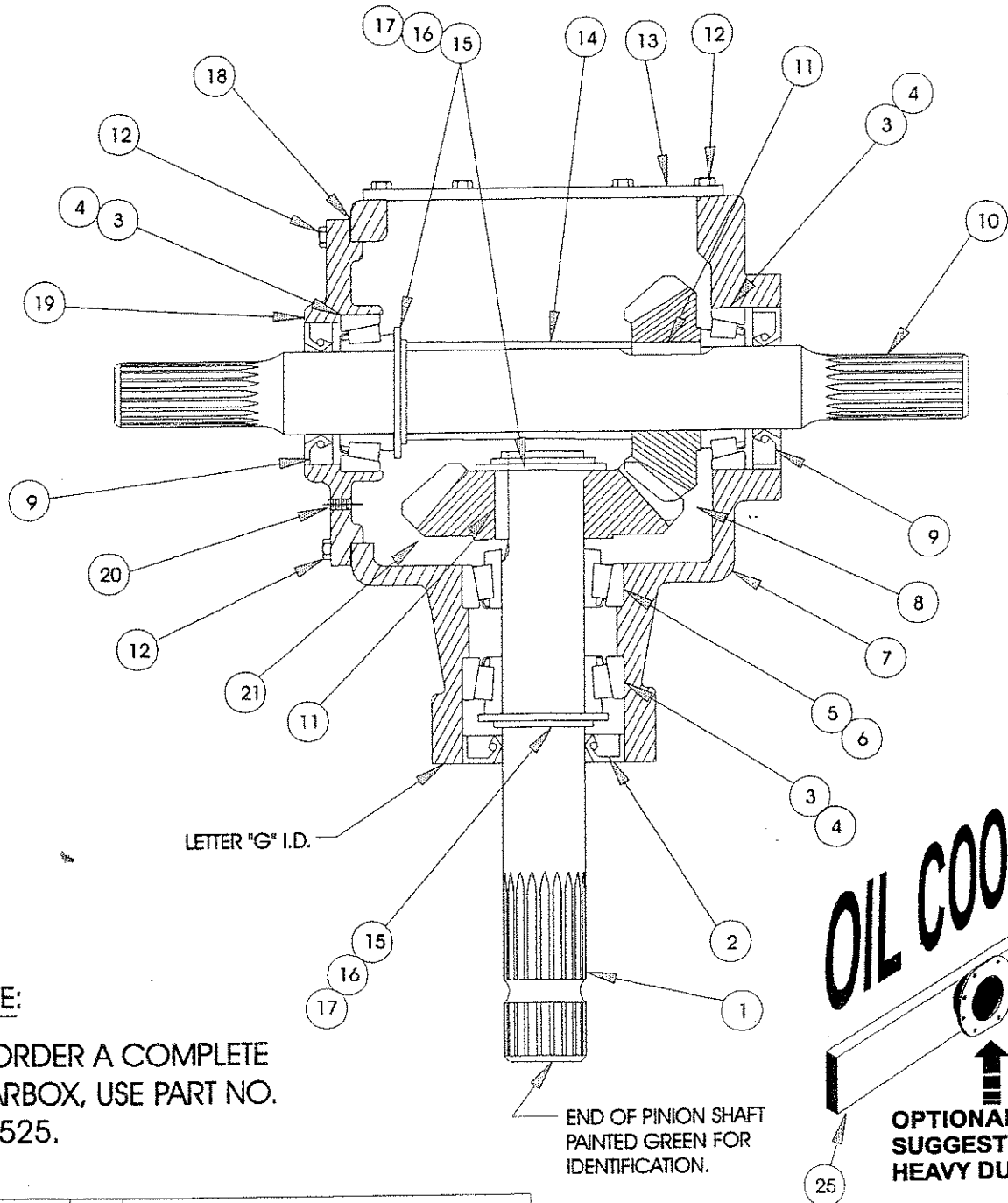
NOTE:

TO ORDER A COMPLETE
GEARBOX, USE PART NO.
X21599.

23	X13038	1	BUSHING, 1/2" X 1/8" REDUCER (NOT SHOWN)	12	XO1206	16	BOLT, 3/8" UNC X 1" LG. HEX HD GR. 5
22	X13181	1	PLUG, 1/2" NPT PIPE (NOT SHOWN)	11	X17185	2	KEY, 3/8" SQ. X 1.46" LG.
21	X13097	1	PLUG, 1/8" NPT VENT (NOT SHOWN)	10	X22619	1	SHAFT, THRU
20	XO6697	1	PLUG, 1/4" NPT PIPE	9	X22264	2	SEAL, OIL (NAT473448)
19	X22614	1	COVER, OPEN	8	X22599	2	GEAR, 22T W/1.75" BORE
18	X22604	AR.	SHIM, .007" (COVER)	7	X22595	1	HOUSING, SIDE PORT
17	X22603	AR.	SHIM, .007" (1.75" DIA. SHAFT)	6	X22602	1	CUP BEARING (3730)
16	X22611	3	WASHER, 1.75" I.D. X .179" THK.	5	X17205	1	CONE, BEARING (3782)
15	X22606	3	RING, SNAP (5160 - 175)	4	XO8491	3	CUP BEARING (25520)
14	X22610	1	SPACER	3	X11477	3	CONE, BEARING (25581)
13	X22615	1	COVER, CLOSED	2	X22594	1	SEAL, OIL
				1	X22620	1	SHAFT, PINION
ITEM	PART NO.	QTY.	DESCRIPTION	ITEM	PART NO.	QTY.	DESCRIPTION

	A	9-25-95	ORIGINAL RELEASE	DATE	9-25-95	GEARBOX - 1000 RPM (1:1 RATIO) 1500 ROTOR SPEED	REF. NO.	21
	REV.	DATE	DESCRIPTION OF REVISION	SCALE	1/8" = 1"		DRAWN	TWS

1 3/8" OUTPUT SHAFT - OLD STYLE



NOTE:

TO ORDER A COMPLETE GEARBOX, USE PART NO. X21525.

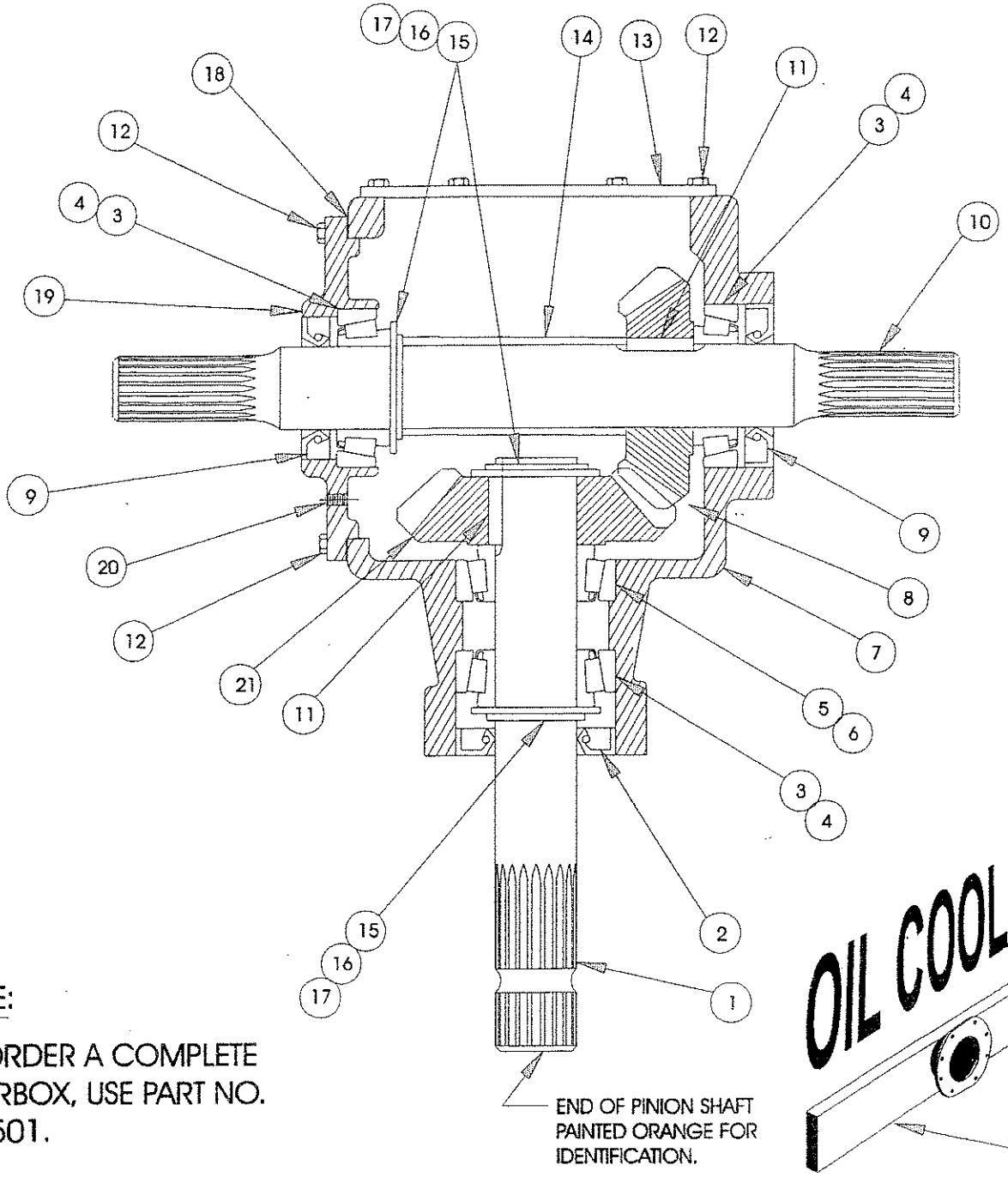
25	X36299	1	OIL COOLER	12	XO1206	16	BOLT, 3/8" UNC X 1" LG. HEX HD GR. 5
24	X13038	1	BUSHING, 1/2" X 1/8" REDUCER (NOT SHOWN)	11	X17185	2	KEY, 3/8" SQ. X 1.46" LG.
23	X13181	1	PLUG, 1/2" NPT PIPE (NOT SHOWN)	10	X22619	1	SHAFT, THRU
22	X13097	1	PLUG, 1/8" NPT VENT (NOT SHOWN)	9	X22264	2	SEAL OIL (NAT473448)
21	X22600	1	GEAR, 27T	8	X22601	1	GEAR, 20T
20	XO6997	1	PLUG, 1/4" NPT PIPE	7	X22595	1	HOUSING
19	X22614	1	COVER, OPEN	6	X22602	1	CUP, BEARING (3730)
18	X22604	AR.	SHIM, .007" (COVER)	5	X17205	1	CONE, BEARING (3782)
17	X22603	AR.	SHIM, .007" (1.75" DIA. SHAFT)	4	XO8491	3	CUP, BEARING (25520)
16	X22611	3	WASHER, 1.75" I.D. X .179" THK.	3	X11477	3	CONE, BEARING (25581)
15	X22606	3	RING, SNAP (5160 - 175)	2	X22594	1	SEAL, OIL
14	X22610	1	SPACER	1	X22620	1	SHAFT, PINION
13	X22613	1	COVER, PLATE				
ITEM	PART NO.	QTY.	DESCRIPTION	ITEM	PART NO.	QTY.	DESCRIPTION



A 9-27-95 ORIGINAL RELEASE
 REV. DATE DESCRIPTION OF REVISION DRAWN TWS

DATE 9-27-95 SCALE 1/8" = 1"
 GEARBOX - 1000 RPM (1:1.35 RATIO) 2000 ROTOR SPEED
 REF. NO. 21525 DRAWING NO. SC500149

1 3/8" OUTPUT SHAFT - OLD STYLE



NOTE:

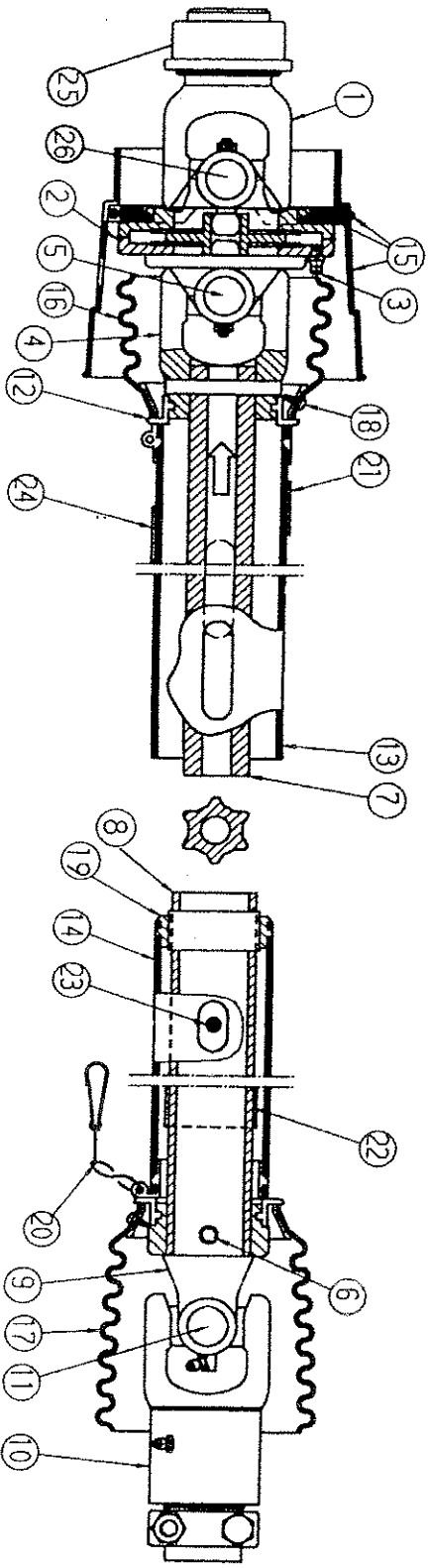
TO ORDER A COMPLETE GEARBOX, USE PART NO. X22501.

END OF PINION SHAFT PAINTED ORANGE FOR IDENTIFICATION.

25	X36299	1	OIL COOLER	12	XO1206	16	BOLT, 3/8" UNC X 1" LG. HEX HD GR. 5
24	X13038	1	BUSHING, 1/2" X 1/8" REDUCER (NOT SHOWN)	11	X17185	2	KEY, 3/8" SQ. X 1.46" LG.
23	X13181	1	PLUG, 1/2" NPT PIPE (NOT SHOWN)	10	X22619	1	SHAFT, THRU
22	X13097	1	PLUG, 1/8" NPT VENT (NOT SHOWN)	9	X22264	2	SEAL, OIL (NAT473448)
21	X22618	1	GEAR, 28T	8	X22617	1	GEAR, 24T
20	XO6997	1	PLUG, 1/4" NPT PIPE	7	X22595	1	HOUSING
19	X22614	1	COVER, OPEN	6	X22602	1	CUP BEARING (3730)
18	X22604	AR.	SHIM, .007" (COVER)	5	X17205	1	CONE, BEARING (3782)
17	X22603	AR.	SHIM, .007" (1.75" DIA. SHAFT)	4	XO8491	3	CUP BEARING (25520)
16	X22611	3	WASHER, 1.75" I.D. X .179" THK.	3	X11477	3	CONE, BEARING (25581)
15	X22606	3	RING, SNAP (5160 - 175)	2	X22594	1	SEAL, OIL
14	X22610	1	SPACER	1	X22620	1	SHAFT, PINION
13	X22613	1	COVER, PLATE				
ITEM	PART NO.	QTY.	DESCRIPTION	ITEM	PART NO.	QTY.	DESCRIPTION

	A	9-27-95	ORIGINAL RELEASE	DATE	9-27-95	GEARBOX - 1000 RPM (1:1.147 RATIO) 1750 ROTOR SPEED	REF. NO.	22501
	REV.	DATE	DESCRIPTION OF REVISION	SCALE	1/4" = 1"		DRAWN	TWS

WALTERSCHEID PULL TYPE SHREDDER CV PTO, 1 3/8-21, 1000 RPM

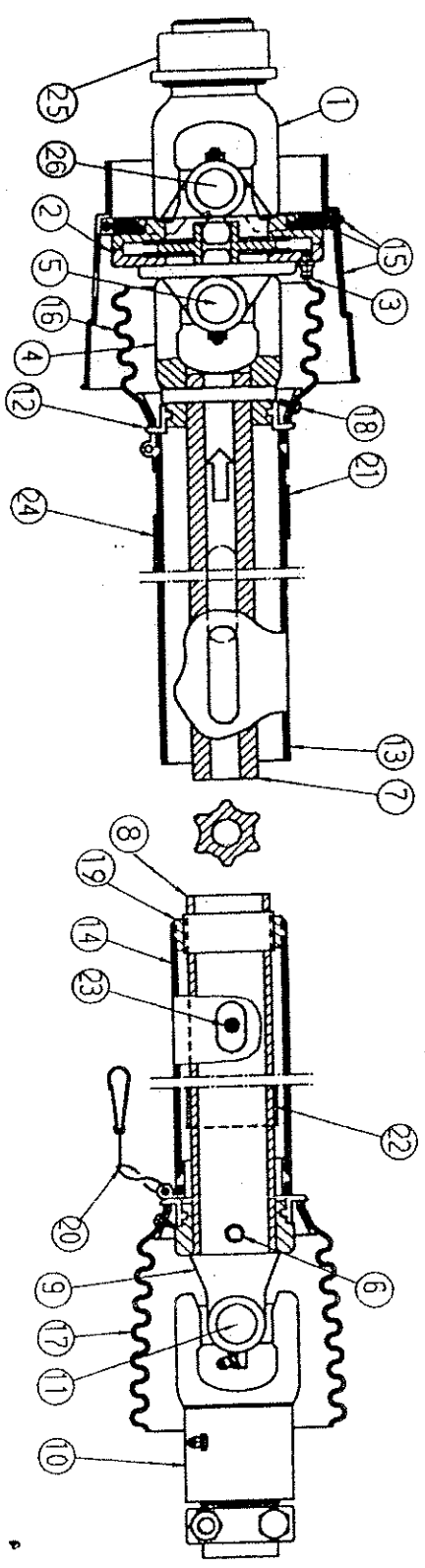


OVERALL COMPRESSED LENGTH, CROSS TO CROSS IS 39.76"

ITEM	PART#	QTY	DESCRIPTION	ITEM	PART#	QTY	DESCRIPTION
1	17169	1	YOKE 1 3/8- 21 SPL	14	50653	1	SHIELD TUBE INNER SHREDDER CV
2	17194	1	DOUBLE YOKE	15	17201	1	CV CONE & BRG ASSY
3	17195	1	ZERK-IN ITEM 2	16	50582	1	SHIELD CONE 4 RIB
4	17196	1	INBOARD YOKE S4	17	17163	1	SHIELD CONE 7 RIB
5	50620	1	CROSS & BEARING KIT	18	16818	8	SCREWS IN 15,16,&17
6	17158	2	SPRING PIN 10X90	19	17171	1	SUPPORT BEARING
7	50650	1	INNER PROFILE S4GA	20	16815	1	SAFETY CHAIN
8	50651	1	PROFILE & SLEEVE S5 SHREDDER CV	21	16816	1	DECAL OUT-IN ITEM 13
9	17162	1	PROFILE & SLEEVE S5 SHREDDER CV	22	16817	1	DECAL INN-IN ITEM 8
10	50575	1	OVERRUNNING CLUTCH	23	16820	1	ZERK-IN ITEM 8
11	17157	1	CROSS & BEARING KIT	24		1	LUBRICATION DECAL
12	16814	2	BEARING RING SC25	25	17172	1	LOCK COLLAR KIT
13	50652	1	SHIELD TUBE OUTER SHREDDER CV	26	17197	1	CROSS & BEARING KIT

COMPLETE PTO PART# 81680

WALTERSCHEID PULL TYPE SHREDDER CV PTO, 1 3/8 b, 34U KRWI



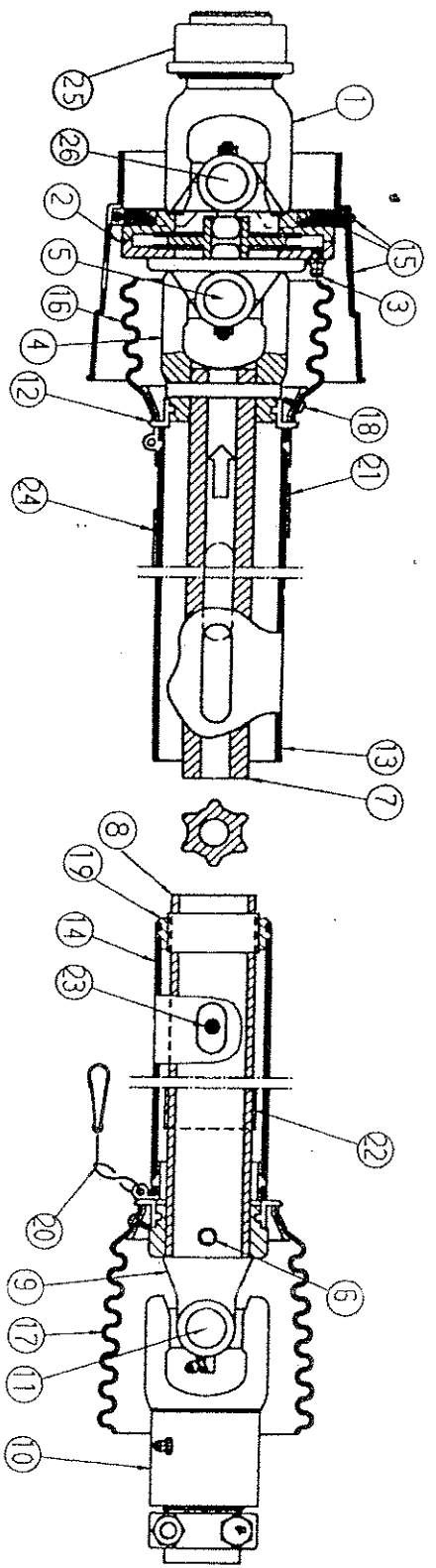
OVERALL COMPRESSED LENGTH, CROSS TO CROSS IS 37.80"

ITEM	PART#	QTY	DESCRIPTION	ITEM	PART#	QTY	DESCRIPTION
1	50762	1	YOKE 1 3/8- 6 SPL	14	50766	1	SHIELD TUBE INNER WALTERSCHEID 540 CV SHREDDER
2	17194	1	DOUBLE YOKE	15	50624	1	CV CONE SHIELD AND BEARING ASSEMBLY
3	17195	1	ZERK-IN ITEM 2	16	50450	1	CV CONE SHIELD OUTER PTO SHREDDER CV DIRECT DRIVE
4	50621	1	INBOARD YOKE S4	17	17163	1	SHIELD CONE 7 RIB
5	50620	1	CROSS & BEARING KIT	18	16818	8	SCREWS IN 15,16,&17
6	17158	2	SPRING PIN 10X90	19	17171	1	SUPPORT BEARING
7	50763	1	INNER PROFILE S4GA WALTERSCHEID 540 CV SHREDDER	20	16815	1	SAFETY CHAIN
8	50764	1	PROFILE S5 & SLEEVE WALTERSCHEID 540 CV SHREDDER	21	16816	1	DECAL OUT-IN ITEM 13
9	17162	1	YOKE INBOARD WALTERSCHEID	22	16817	1	DECAL INN-IN ITEM 8
10	50575	1	OVERRUNNING CLUTCH	23	16820	1	ZERK-IN ITEM 8
11	17157	1	CROSS & BEARING KIT	24		1	LUBRICATION DECAL
12	16814	2	BEARING RING SC25	25	17172	1	LOCK COLLAR KIT
13	50765	1	SHIELD TUBE OUTER WALTERSCHEID 540 CV SHREDDER	26	17197	1	CROSS & BEARING KIT

COMPLETE PTO PART# 82535

3/9/05

WALTERSCHEID PULL TYPE SHREDDER CV PTO, 1 3/4-20 1000 RPM

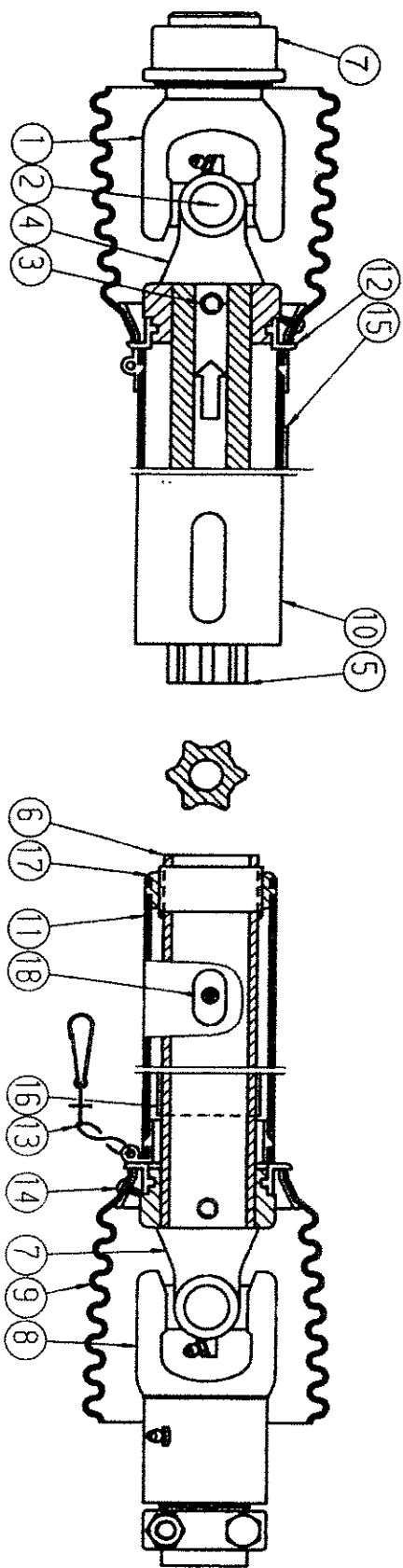


OVERALL COMPRESSED LENGTH, CROSS TO CROSS IS 39.76"

ITEM	PART#	QTY	DESCRIPTION	ITEM	PART#	QTY	DESCRIPTION
1	16792	1	YOKE 1 3/4- 20 SPL	14	50653	1	SHIELD TUBE INNER SHREDDER CV
2	17194	1	DOUBLE YOKE	15	17201	1	CV CONE & BRG ASSY
3	17195 *	1	ZERK-IN ITEM 2	16	50450	1	SHIELD CONE 4 RIB
4	17196	1	INBOARD YOKE S4	17	17163	1	SHIELD CONE 7 RIB
5	50620	1	CROSS & BEARING KIT	18	16818	8	SCREWS IN 15,16,&17
6	17158	2	SPRING PIN 10X90	19	17171	1	SUPPORT BEARING
7	50650	1	INNER PROFILE S4GA	20	16815	1	SAFETY CHAIN
8	50786	1	PROFILE S5H AND SLEEVE	21	16816	1	DECAL OUT-IN ITEM 13
9	17162	1	INBOARD YOKE S5	22	16817	1	DECAL INN-IN ITEM 8
10	50575	1	OVERRUNNING CLUTCH	23	16820	1	ZERK-IN ITEM 8
11	17157	1	CROSS & BEARING KIT	24		1	LUBRICATION DECAL
12	16814	2	BEARING RING SC25	25	17173	1	LOCK COLLAR KIT
13	50787	1	SHIELD TUBE OUTER	26	17197	1	CROSS & BEARING KIT

COMPLETE PTO PART# 65334

3/10/05



OVERALL COMPRESSED LENGTH, CROSS TO CROSS IS 22.05"

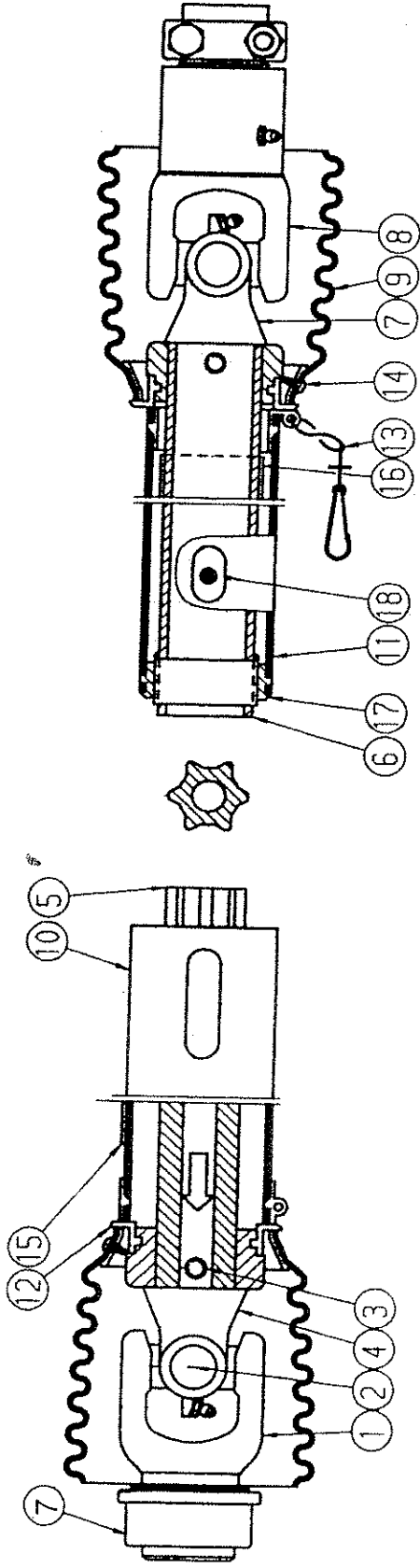
ITEM	PART#	QTY	DESCRIPTION	ITEM	PART#	QTY	DESCRIPTION
1	17200	1	YOKE 1 3/4 20 SP WALTERSCHEID	10	50656	1	SHIELD TUBE OUTER RICE SHREDDER
2	17157	2	CROSS & BEARING KIT	11	50657	1	INN SHIELD TUBE RND
3	17158	1	SPRING PIN 10X90	12	16814	1	BEARING RING SC25
4	17159	1	YOKE INBOARD WALTERSCHEID	13	16815	1	SAFETY CHAIN
5	50654	1	PROFILE INNER S4GA PRICE SHEDDER	14	16818	1	SCREWS IN 9
6	50655	1	PROFILE & SLEEVE S5H RICE SHREDDER	15	16816	2	DECAL OUT-IN ITEM 10
7	17173	1	COLLAR KIT 1 3/4 WALTERSCHEID	16	16817	1	DECAL INN-IN ITEM 6
8	50575	1	OVERRUNNING CLUTCH	17	17171	1	SUPPORT BEARING
9	17163	1	SHIELD CONE 7 RIB				

COMPLETE PTO PART# 65177

3/9/05

7

WALTERSCHEID, MOUNTED SHREDDER PTO, 1 3/8-21 1000 RPM



OVERALL COMPRESSED LENGTH, CROSS TO CROSS IS 22.05"

ITEM	PART#	QTY	DESCRIPTION	ITEM	PART#	QTY	DESCRIPTION
1	17479	1	YOKE 1 3/8 21 SP WALTERSCHEID	10	50656	1	SHIELD TUBE OUTER RICE SHREDDER
2	17157	2	CROSS & BEARING KIT	11	50657	1	INN SHIELD TUBE RND
3	17158	1	SPRING PIN 10x90	12	16814	1	BEARING RING SC25
4	17159	1	YOKE INBOARD WALTERSCHEID	13	16815	1	SAFETY CHAIN
5	50654	1	PROFILE INNER S4GA PRICE SHEDDER	14	16818	1	SCREWS IN 9
6	50655	1	PROFILE & SLEEVE S5H RICE SHREDDER	15	16816	2	DECAL OUT-IN ITEM 10
7	17172	1	COLLAR KIT 1 3/8 WALTERSCHEID	16	16817	1	DECAL INN-IN ITEM 6
8	50575	1	OVERRUNNING CLUTCH	17	17171	1	SUPPORT BEARING
9	17163	1	SHIELD CONE 7 RIB				

COMPLETE PTO PART# 82430

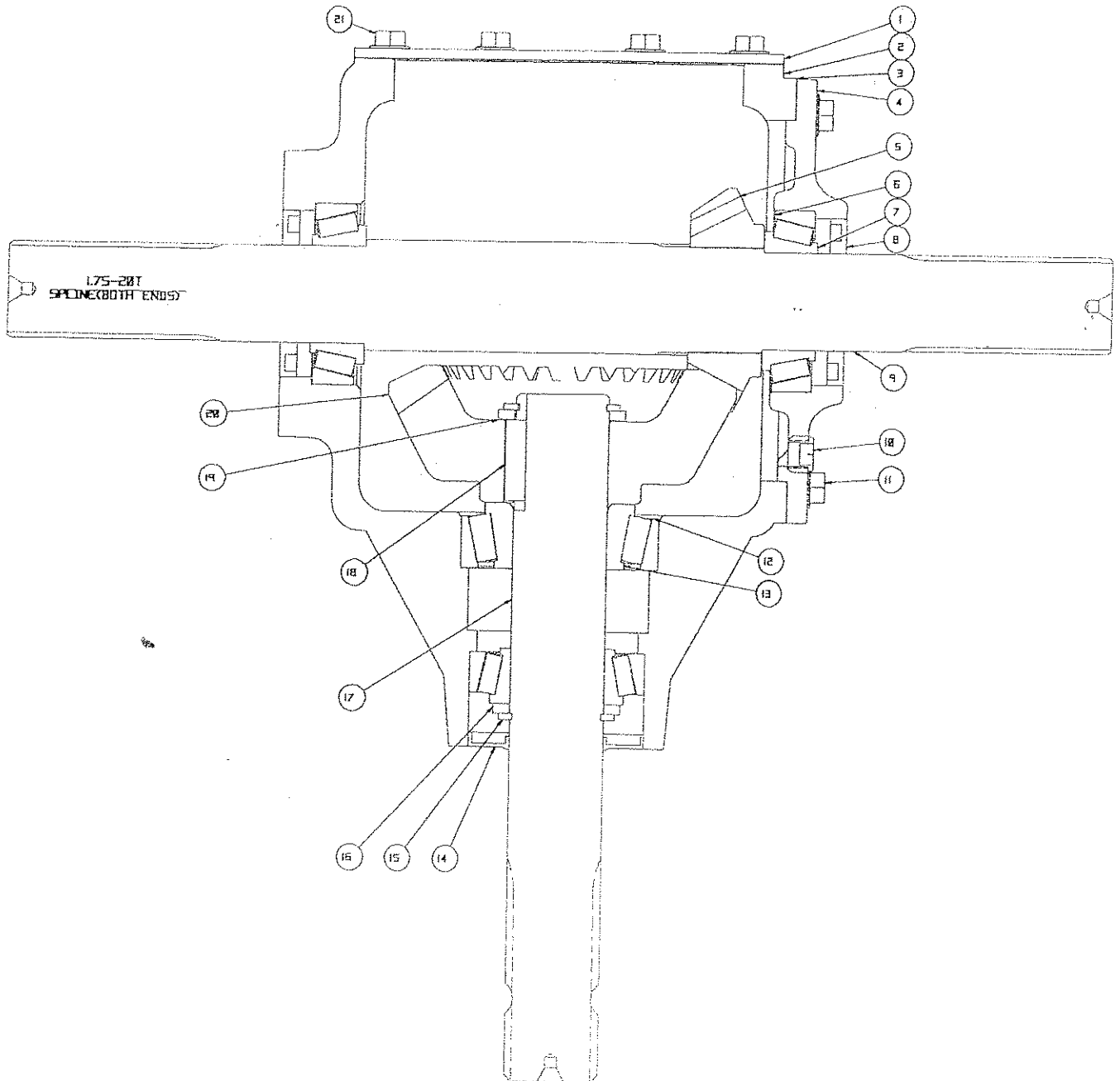
NEW STYLE SHREDDER GEARBOX, 540 RPM, PART# 82450

Item#	Qty	Part#	Description
1	1	22615	COVER - PLATE
2	1	22595	HOUSING GEARBOX PRAIRIE #1018
3	2	22604	SHIM .007 (COVER) PRAIRIE #1544
4	1	22614	COVER OPEN PRAIRIE #4142-2
5	1	50797	COVER - OPEN 3/8" NPT
6	3	8491	BEARING CUP INNER
7	3	11477	BEARINGCONE SUPERIORBOX
8	2	22264	SEAL 1.75 ID 3.0"OD CR# 17678*USE#36522/LAG SERV
9	1	50798	SHAFT THRU 1.75" PRAIRIE SHREDDER GB 2004
10	1	50514	PLUG.37 NPT ALLEN HEAD LAGOON GEARBOX
11	8	1206	BOLT.37 X 1 HEXHEAD GRADE 5 Z.P.
12	1	22602	BEARING CUP
13	1	17205	BEARING CONE LARGE SUPERIOR BOX
14	1	22594	SEAL OIL PRAIRIE#1489 RUBBER COATED
15	2	22606	SNAP RING 1.75 ID PRAIRIE #1620 (5160-175)
16	2	22611	WASHER 1.75 ID X .179 PRAIRIE #2855
17	1	22620	SHAFT PINION PRAIRIE #4558
18	1	17185	KEY.37 X .37 X 1.43 HARDENED
19	1	22603	SHIM .007 X 1.75(SHAFT) PRAIRIE #1543
20	1	22638	GEAR 29T (1.75 BORE) PRAIRIE #1290
21	8	1204	BOLT.37 X 1/2 HEXHEAD GRADE 5 Z.P.
22	1	13097	BREATHER .125"NPT BRASS 5# PSI VENT*FOR*ACTUATOR USE 3143
23	1	13038	HEX REDUCER .5 MP X .12 FP HP
24	1	8907	PIPE PLUG .50-14 NPT SQ HD

STARTED FEBRUARY 2004

3/9/05

NEW STYLE SHREDDER GEARBOX, 540 RPM, PART# 82450



STARTED FEBRUARY 2004

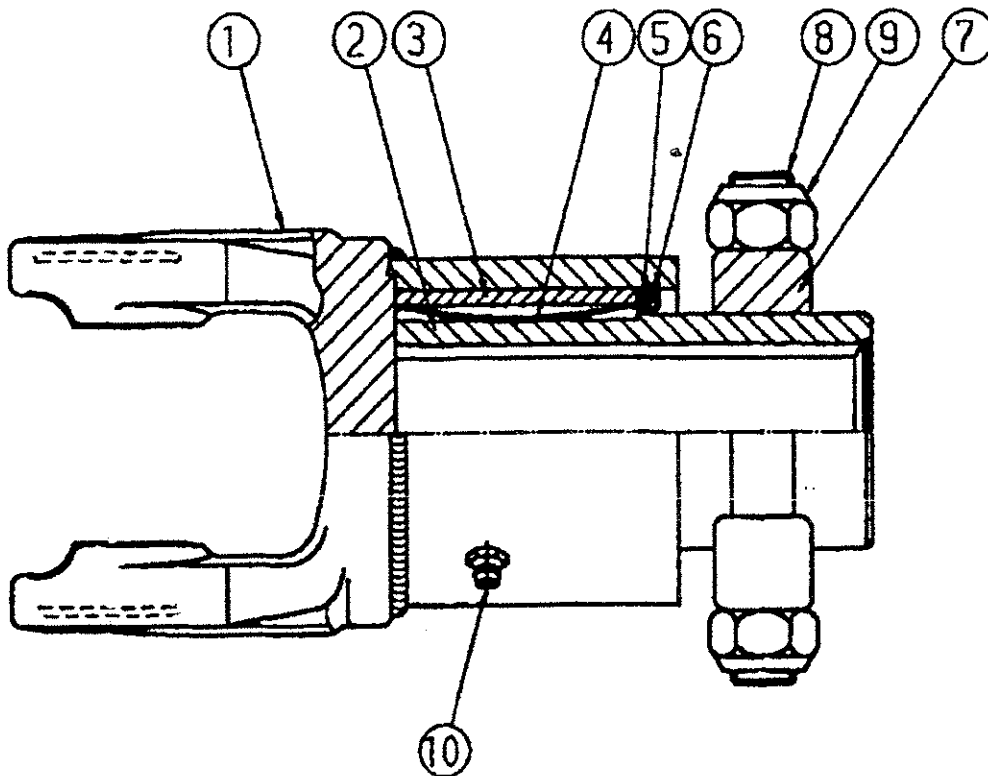
3/9/05

New Style Shredder Gearbox, 1000 RPM, Part# 82025

Item#	Qty	Part#	Description
1	1	22595	HOUSING GEARBOX PRAIRIE #1018
2	2	22599	GEAR 22T (1.75 BORE) PRAIRIE #1290
3	3	11477	BEARINGCONE SUPERIORBOX
4	3	8491	BEARING CUP INNER
5	1	17205	BEARING CONE LARGE SUPERIOR BOX
6	1	22602	BEARING CUP
7	2	22264	SEAL 1.75 ID 3.0"OD CR# 17678*USE#36522/LAG SERV
8	1	22594	SEAL OIL PRAIRIE#1489 RUBBER COATED
9	2	22603	SHIM .007 X 1.75(SHAFT) PRAIRIE #1543
10	2	22604	SHIM .007 (COVER) PRAIRIE #1544
11	3	22606	SNAP RING 1.75 ID PRAIRIE #1620 (5160-175)
12	2	17185	KEY.37 X .37 X 1.43 HARDENED
13	16	1206	BOLT.37 X 1 HEXHEAD GRADE 5 Z.P.
14	1	13097	BREATHER .125"NPT BRASS 5# PSI VENT*FOR ACTUATOR USE 31438
15	1	.8907	PIPE PLUG .50-14 NPT SQ HD
16	1	13038	HEX REDUCER .5 MP X .12 FP HP
17	1	50514	PLUG.37 NPT ALLEN HEAD LAGOON GEARBOX
18	1	22610	SPACER PRAIRIE #2853
19	3	22611	WASHER 1.75 ID X .179 PRAIRIE #2855
20	1	22615	COVER - PLATE
21	1	22614	COVER OPEN PRAIRIE #4142-2
22	1	50854	SHAFT THRU 1.75" PRAIRIE SHREDDER GB 2004
23	1	22620	SHAFT PINION PRAIRIE #4558

Started February 2004 3/9/05

SHREDDER OVERRUNNING CLUTCH, PART# 50575



ITEM	PART#	QTY.	DESCRIPTION
1	50583	1	ZERK
2	50584	1	CLUTCH HOUSING
3	50585	2	LEAF SPRING
4	50586	2	KEY
5	50587	1	HUB 1.75" 20-SPLINE
6	50588	1	RING RETAINING
7	50589	1	SNAP RING
8	50485	2	BOLT 16 x 110mm
9	3149	2	NUT 16mm
10	50486	2	BRIDGE

3/9/05